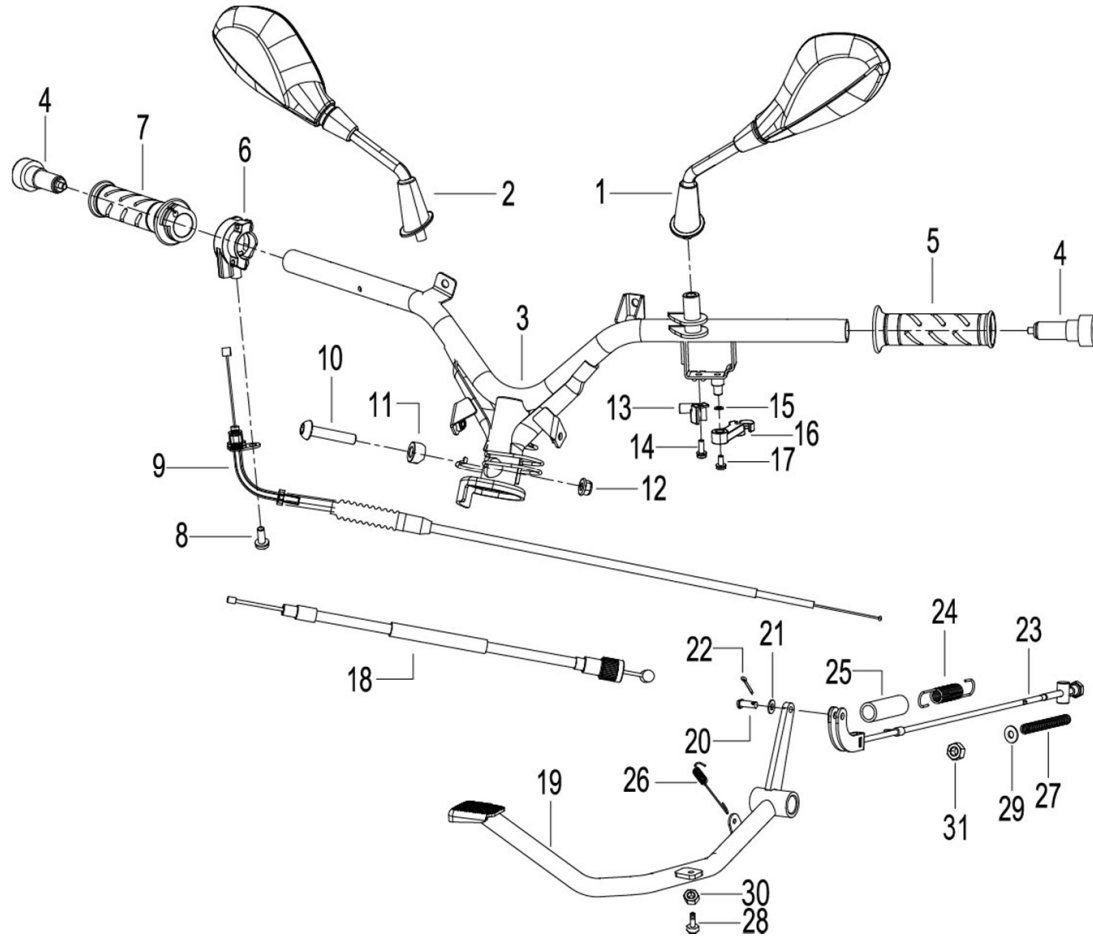


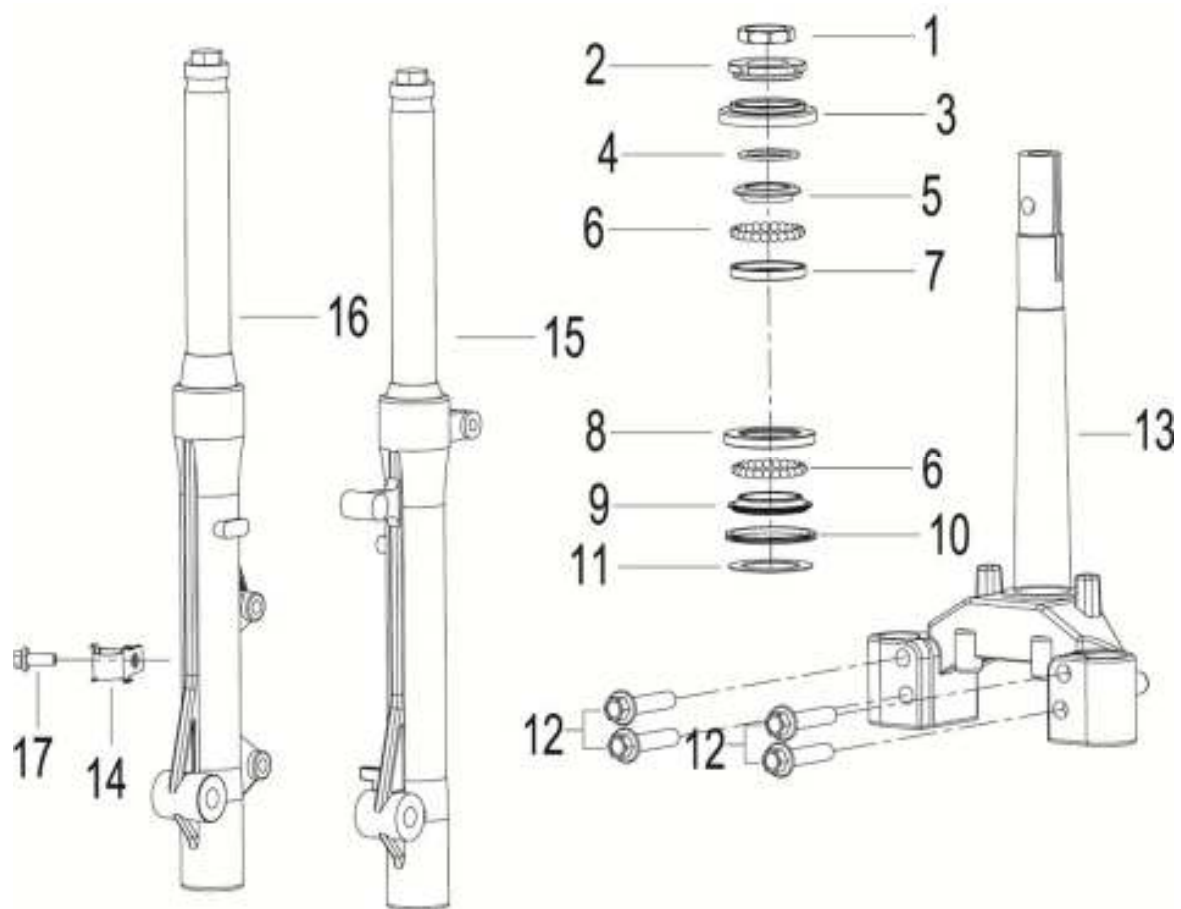
F01 操纵 CONTROL ASSY.



NO.	Position No.	CODE	CN DESCRIPTION	EN DESCRIPTION	Qty /Unit	price (RM)	NOTES
1	F01	40450T750102	左后视镜组件(Emark:000304)	LR VIEW MIRROR ASSY,Emark:000304	1	11.00	
2	F01	40480T750102	右后视镜组件(Emark:000304)	RR VIEW MIRROR ASSY,Emark:000304	1	11.00	
3	F01	40100H390000	方向把焊接组件	HANDLEBAR ASSY	1	54.20	
4	F01	40030H170000	平衡块组件	BALANCE BLOCK ASSY.	2	9.40	

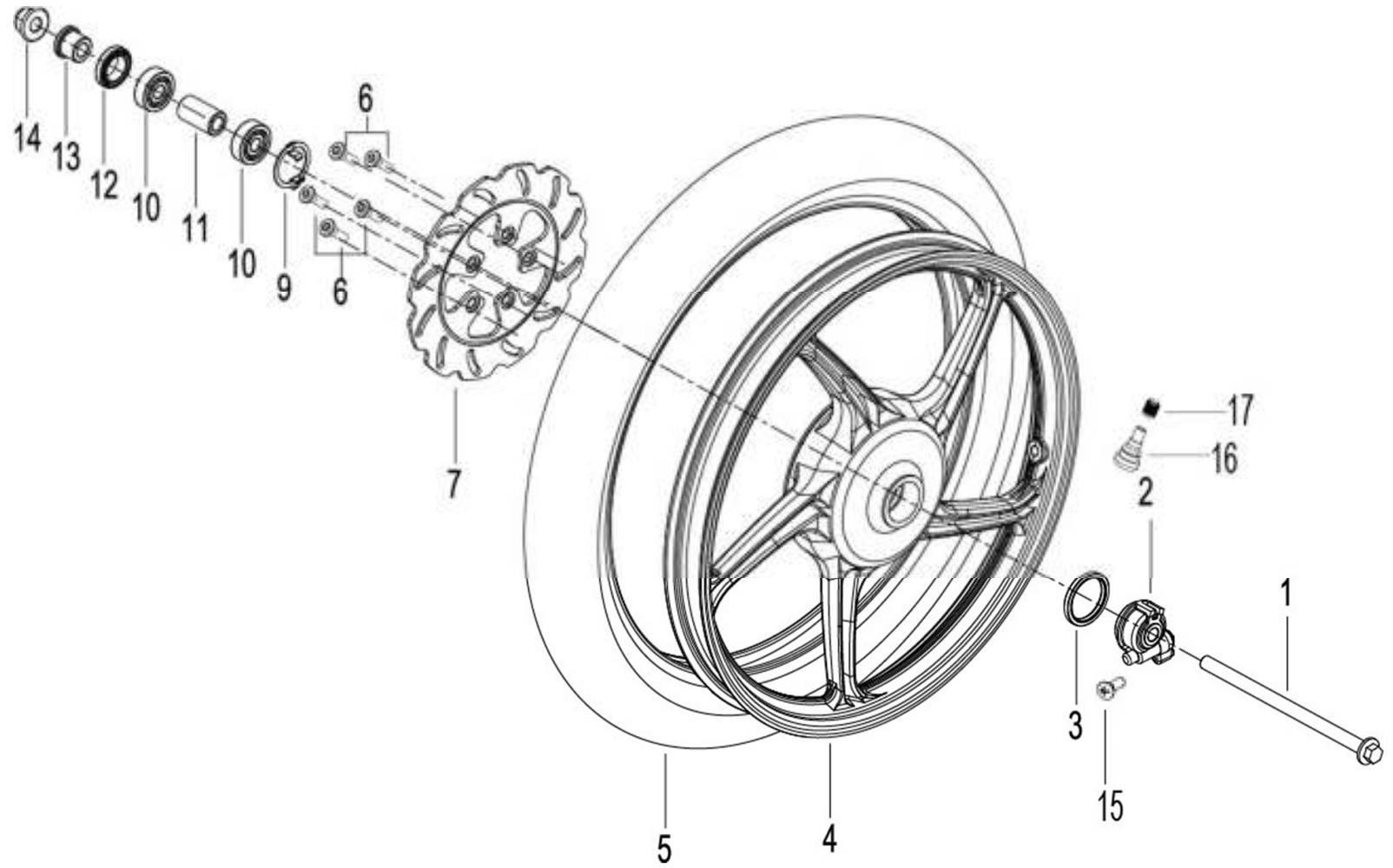
NO.	Position No.	CODE	CN DESCRIPTION	EN DESCRIPTION	Qty /Unit	price (RM)	NOTES
5	F01	40001H010000	左方向把套	LEFT HANDLEBAR GRIP	1	4.70	
6	F01	40320T030000	油门线安装座	MOUNTING PLATE,THROTTLE CABLE	1	6.30	
7	F01	40210J890000	右握把组件	RIGHT HANDLEBAR GRIP	1	5.60	
8	F01	B13010501005	组合螺钉M5×10	SCREW W/WASHER M5×10	1	0.30	
9	F01	40300H390000	油门线组件	THROTTLE CABLE ASSY	1	15.10	
10	F01	40131G510000	方向把固定螺栓	FIX BOLT	1	3.10	
11	F01	40031T030000	把手座压块	HANDLE BLOCK	1	1.70	
12	F01	B0417101254H	自锁螺母M10×1.25	SELF-LOCKING NUT M10×1.25	1	1.50	
13	F01	40591H390000	阻风门组合开关座	SEAT, COMBINED SWITCH	1	3.30	
14	F01	B13010501605	组合螺钉M5×16	SCREW W/WASHER M5×16	1	0.70	
15	F01	43282H030000	阻尼阀片	VALVE PLATE,DAMPING	1	0.20	
16	F01	40592H390000	阻风门组合开关手柄	HANDLE,COMBINED SWITCH	1	1.20	
17	F01	B13010501205	组合螺钉M5×12	SCREW W/WASHER M5×12	1	2.00	
18	F01	40350H390000	风门线组件	CABLE ASSY.,	1	6.60	
19	F01	40710H390000	刹车踏板焊接组件	PEDAL COMP.,RR.BRAKE	1	19.80	
20	F01	40018K030000	销轴	PIN SHAFT	1	0.30	
21	F01	B07030000605	垫圈6	WASHER 6	1	0.30	
22	F01	B09001601615	开口销1.6×16	COTTER PIN 1.6×16	1	0.20	
23	F01	40280H390000	拉杆组件	REAR BRAKE PULLING ROD ASSY.	1	8.60	
24	F01	40702H100010	刹车踏板复位弹簧	THE REAR BRAKE RETURN SPRING	1	1.00	
25	F01	40705H010000	刹车踏板弹簧橡胶套	RUBBER SLEEVE RETURNING SPRING,BRAKE PEDAL	1	0.70	
26	F01	40019J000020	后刹车开关拉簧	PULL SPRING,BRAKE LAMP SWITCH	1	0.30	
27	F01	40274J000030	后刹弹簧	REAR BRAKE SPRING	1	0.30	
28	F01	40780J860000	刹车踏板限位螺栓组件	BRAKE PEDAL BOLT	1	0.70	
29	F01	40706M010000	垫圈8	WASHER 8	1	0.30	
30	F01	B04000600055	螺母M6	NUT M6	1	0.40	
31	F01	B04000600053	螺母M6	NUT M6	1	0.40	

F02 前叉 FORK ASSY.



NO.	Position No.	CODE	CN DESCRIPTION	EN DESCRIPTION	Qty /Unit	price (RM)	NOTES
1	F02	08051H100001	轴杆锁紧螺母	NUT	1	1.50	
2	F02	08051H100000	轴杆压紧螺母	NUT	1	4.00	
3	F02	43481H030000	防尘盖	DUST SEAL	1	0.30	
4	F02	40704H010100	垫片	WASHER	1	0.30	
5	F02	43002H100000	上轴承下钢碗	RACE, STEERING INNER, UPPER	1	5.00	
6	F02	B06010140000	钢珠3/16英寸	BALL, STEEL 3/16	52	0.30	
7	F02	43001H100000	上轴承上钢碗	RACE, STEERING OUTER, UPPER	1	4.30	
8	F02	43003H100000	下轴承上钢碗	RACE, STEERING INNER, LOWER	1	5.20	
9	F02	43004H100000	下轴承下钢碗	RACE,STEERING OUTER, LOWER	1	6.10	
10	F02	43006H030000	密封垫圈	WASHER	1	0.50	
11	F02	43018G120030	下联板支柱垫圈	WASHER	1	0.30	
12	F02	B01591004565	螺栓M10×1.25×45	BOLT 10×1.25×45MM	4	3.00	
13	F02	43100H030002	下联板	UNDER BRACKET COMP.	1	122.50	
14	F02	45350H030000	液刹管卡箍	CLIP	1	0.80	
15	F02	43200H390000	前左减震器组件	FRONT LEFT SHOCK ABSORBER ASSY.	1	118.50	
16	F02	43300H390000	前右减震器组件	FRONT RIGHT SHOCK ABSORBER ASSY.	1	118.50	
17	F02	B01090601265	螺栓M6×12	BOLT M6×12	1	0.40	

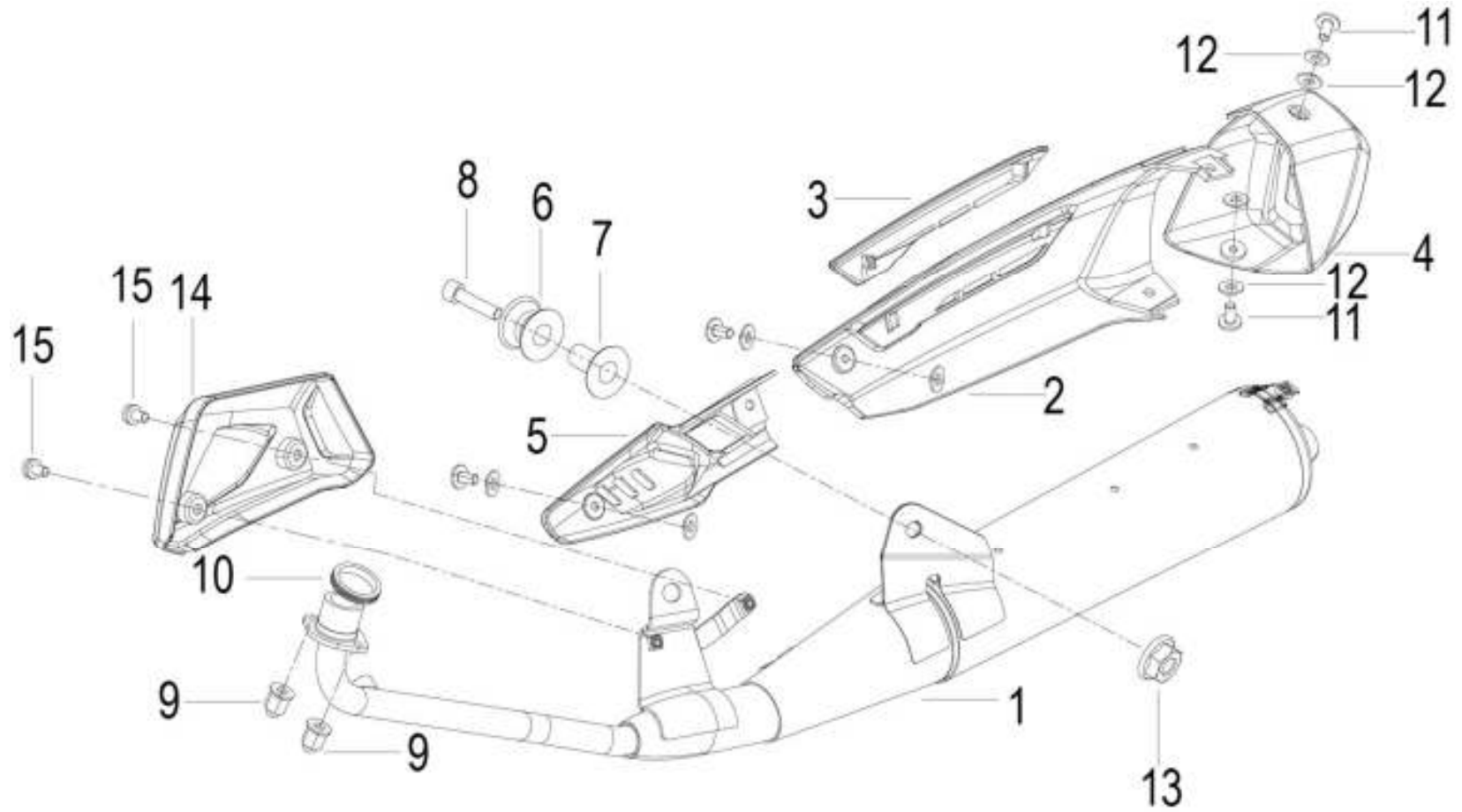
F03 前轮 FRONT WHEEL ASSY.



NO.	Position No.	CODE	CN DESCRIPTION	EN DESCRIPTION	Qty /Unit	price (RM)	NOTES
1	F03	44004H030050	前轮轴	FRONT WHEEL AXLE	1	9.40	
2	F03	44200H030000	齿轮座组件	SPEEDOMETER GEAR	1	34.50	
3	F03	44230H010000	齿轮座油封	DUST SEAL ASSY, GEAR SEAL	1	1.30	
4	F03	44101H25HT02	前轮圈(钱江灰)	FRONT WHEEL,grey HT	1	211.50	
5	F03	AC-VRM399F		FRONT TIRE (70/90-17)	1	45.00	
6	F03	08001B030010	螺栓M8×20	BOLT M8×20	5	1.50	
7	F03	45033H390001	前制动盘	BRAKE DISK	1	111.00	
9	F03	44241H010000	驱动片	DRIVE PATCH, GEARWHEEL	1	0.30	
10	F03	B12016030100	滚动轴承	BEARING 6301-2RS	2	7.10	
11	F03	44006H030000	前轮中间轴套	FRONT WHEEL MIDDLE SHAFT SLEEVE	1	4.80	
12	F03	44300H030000	前轮油封组件	DUST SEAL ASSY	1	2.00	
13	F03	44005H030050	前轮右轴套(液刹款)	BUSH, RH, FRONT WHEEL	1	3.00	
14	F03	B04171212545	自锁螺母M12×1.25	NUT M12×1.25MM	1	2.30	
15	F03	B02020501625	螺钉M5×16	SCREW M5×16	1	0.20	
16	F03	B1403Z201100	气门嘴Z2-01-1直	AIR VALVE/RIM VALVE	1	4.80	
17	F03	B1404Z2011A0	气门嘴帽Z2-01-1	CAP, VALVE	1	0.40	

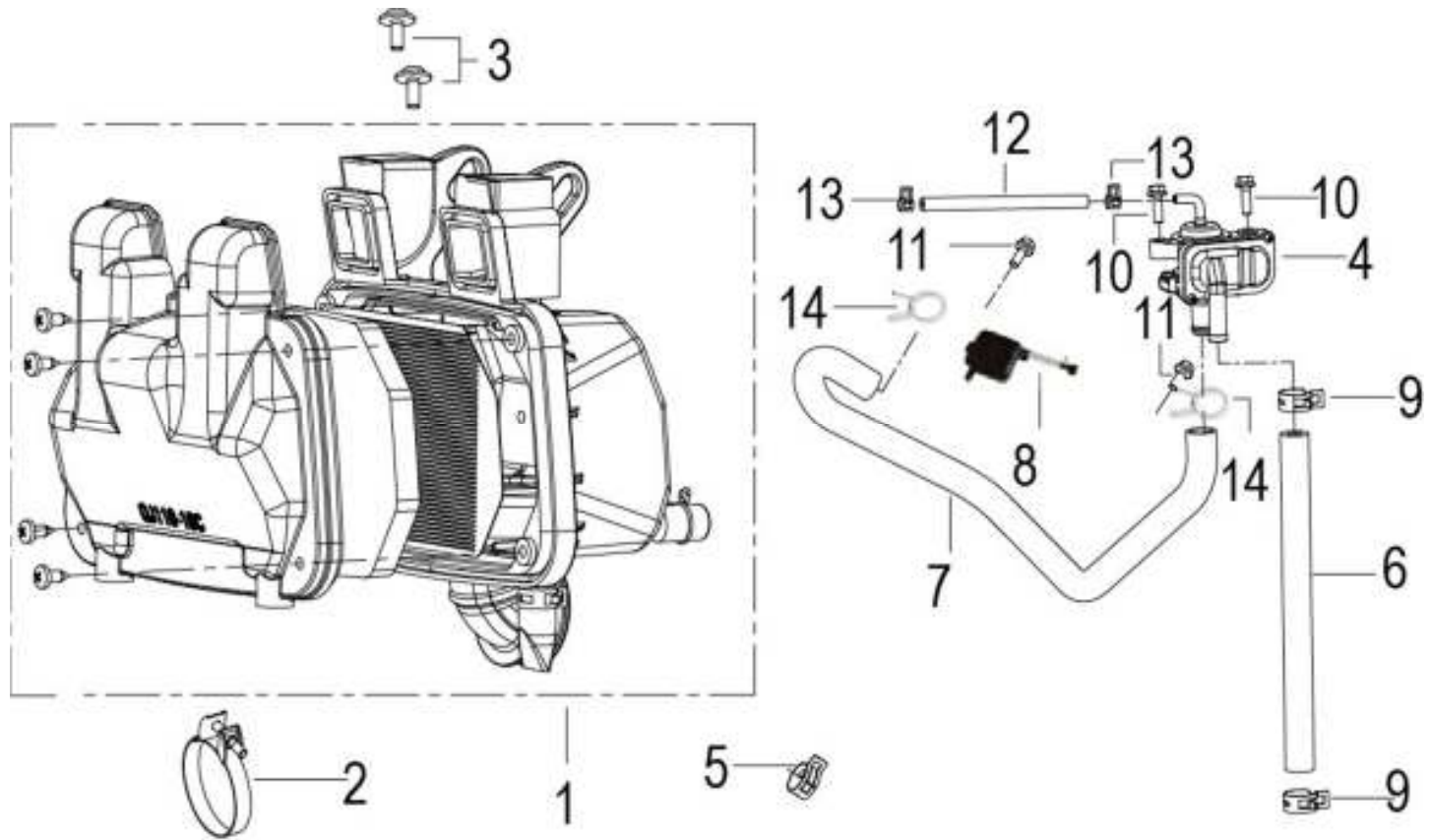
NO.	Position No.	CODE	CN DESCRIPTION	EN DESCRIPTION	Qty /Unit	price (RM)	NOTES
1	F04	45900J890003	液刹组件(金黄色)	FRONT DISK BRAKE ASSY	1	300.60	
2	F04	45400J890001	油泵体组件	FRONT MASTER CYLINDER ASSY	1	118.80	
3	F04	45022H100000	液刹手柄	DISC BRAKE LEVER	1	18.70	
4	F04	B04160600045	螺母M6	NUT M6	1	0.70	
5	F04	45024H100000	手柄固定螺栓	BRAKE LEVER PIVOT BOLT	1	3.90	
6	F04	45300T030000	前液刹制动开关	FRONT BRAKE SWITCH	1	5.10	
7	F04	45023T010000	固定盖	FRONT BRAKE MASTER CYLINDER HOLDER	1	5.40	
8	F04	B01070602365	螺栓M6×23	BOLT M6×23	2	1.20	
9	F04	55180J410000	垫圈	WASHER	4	0.40	
10	F04	55037J410000	六角法兰面螺栓	BOLT	2	2.30	
11	F04	45200J890000	制动软管总成	BRAKE HOSE	1	42.60	
12	F04	45500J890010	制动缸组件(金黄色)	REAR BRAKE CALIPER	1	130.00	
13	F04	45110T400000	摩擦片组件	BRAKE PADS	1	13.10	
14	F04	B01090802565	螺栓M8×25	BOLT M8×25	2	0.60	
15	F04	45190J890001	倒车镜座组件	INSTALL SEAT,MIRROR	1	20.10	
16	F04	B0205080166H	内六角螺钉M8×16	SCREW M8×16	1	0.50	

F05_1 消声器 MUFFLER ASSY.



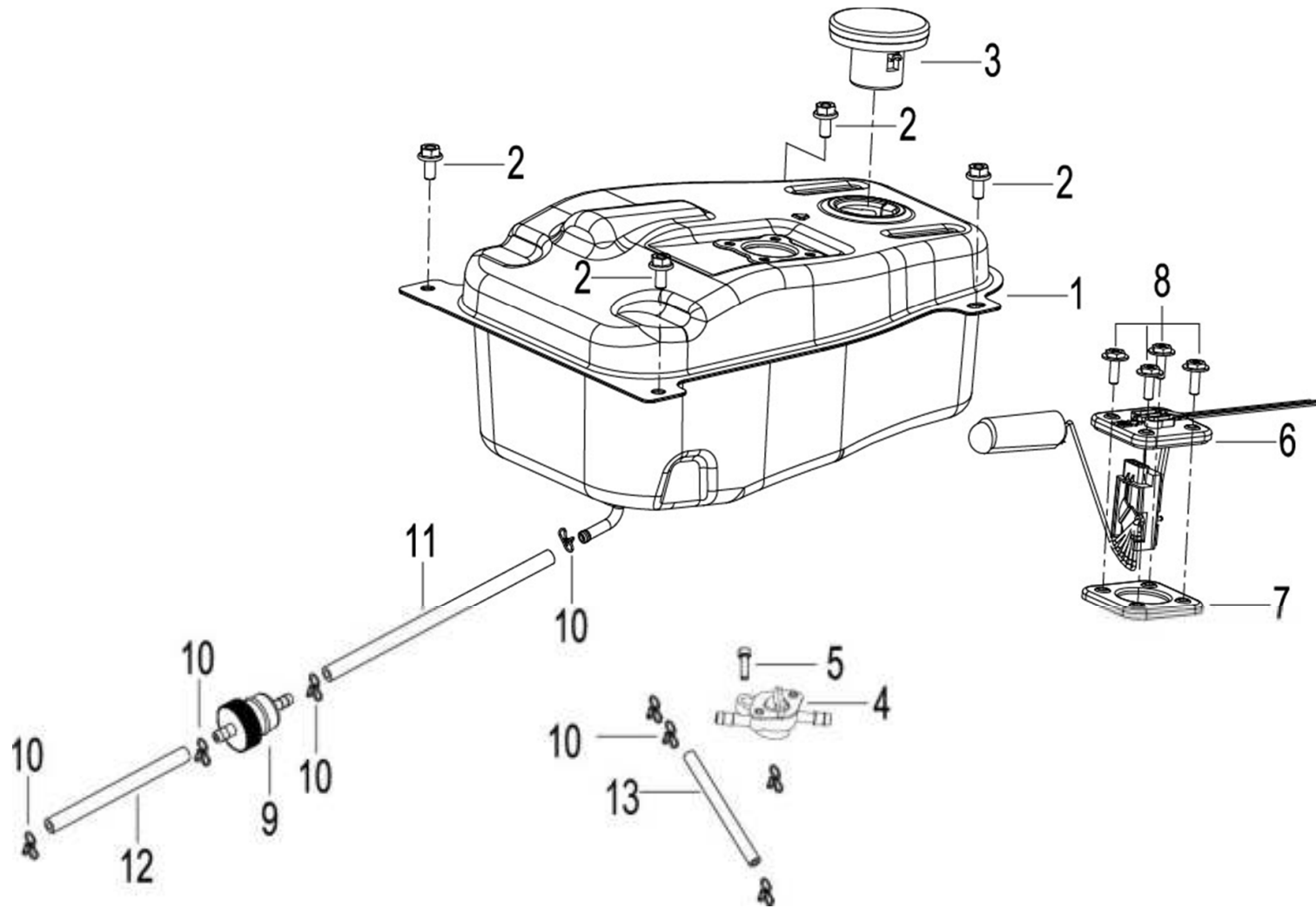
NO.	Position No.	CODE	CN DESCRIPTION	EN DESCRIPTION	Qty /Unit	price (RM)	NOTES
1	F05_1	47100H390008	消声器焊接组件	MUFFLER ASSY	1	173.60	
2	F05_1	47024U190000	消音器装饰罩中部	MIDDLE DECORATIVE COVER	1	12.80	
3	F05_1	47025U19C800	消音器装饰罩中部装饰板(大桥银C8)	DECORATIVE PLATE,SILVER C8	1	13.10	
4	F05_1	47041U19C800	消音器装饰罩尾部(大桥银C8)	REAR DECORATIVE COVER,SILVER C8	1	39.90	
5	F05_1	47023U190000	消音器装饰罩前部	FRONT DECORATIVE COVER	1	6.50	
6	F05_1	47052H390000	消声器橡胶套	RUBBER BUSH	1	3.30	
7	F05_1	47051H390000	衬套	BUSH	1	5.80	
8	F05_1	B02050804065	内六角螺钉M8×40	HEXAGON SCREWS M8×40	1	0.90	
9	F05_1	47006J010000	盖形螺母M6	NUT M6	2	1.00	
10	F05_1	47800G120000	排气管衬垫	GASKTE ASSY,EXHAUST PIPE	1	1.30	
11	F05_1	B02830601462	螺钉M6×14	SCREW M6×14	4	0.40	
12	F05_1	08022N050000	隔热垫片	RED WASHER	8	0.30	
13	F05_1	B04070800055	自锁螺母M8	NUT M8	1	0.40	
14	F05_1	65412H390000	右踏脚蹬盖板	RIGHT FOOT PEDAL PLATE	1	2.70	
15	F05_1	B02060601225	螺钉M6×12	SCREW M6×12	2	0.40	

F06 空滤器 AIR CLEANER ASSY.



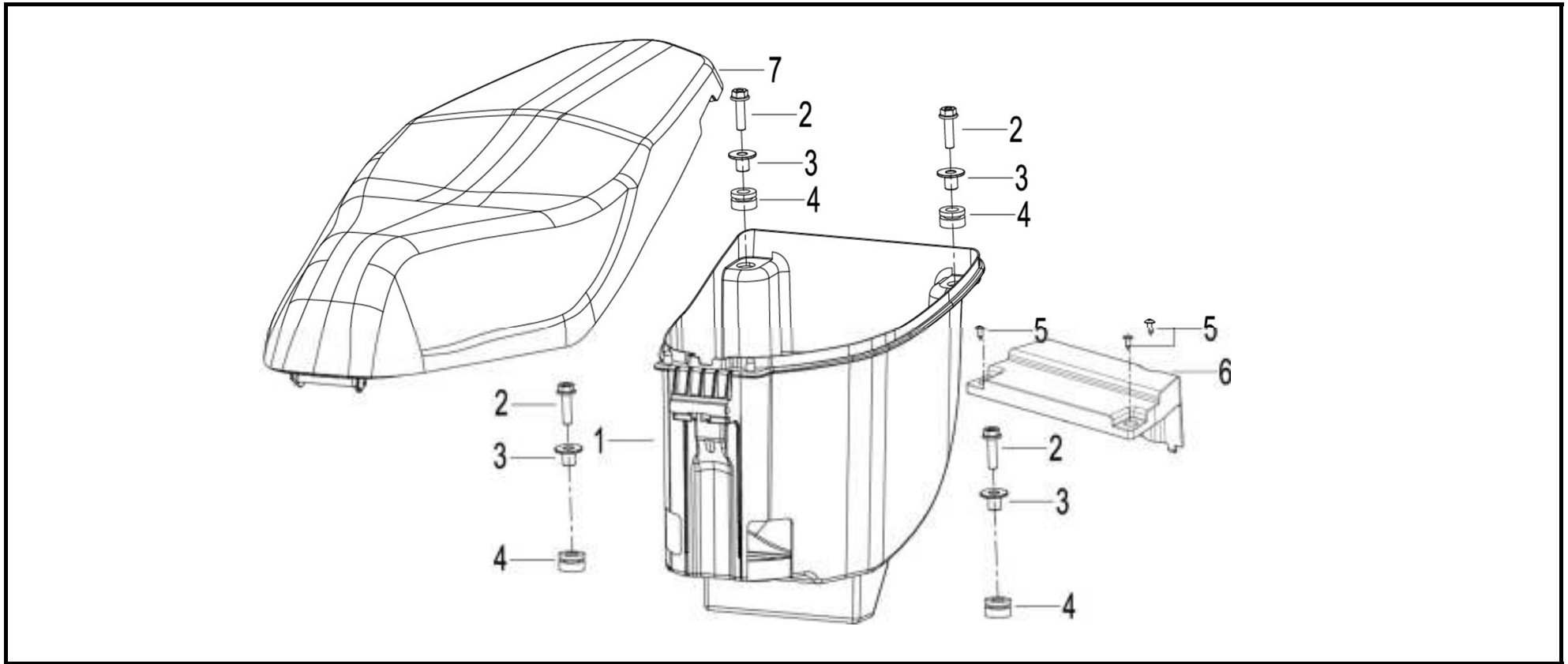
NO.	Position No.	CODE	CN DESCRIPTION	EN DESCRIPTION	Qty /Unit	price (RM)	NOTES
1	F06	49100H390000	空滤器组件	AIR CLEANER ASSY	1	42.00	
2	F06	49350J000010	卡箍组件	CLAMP ASSY.	1	1.30	
3	F06	B13010601605	组合螺钉M6×16	SCREW M6×16	2	0.30	
4	F06	160012140000	组合阀组件	VALVE ASSY.	1	51.70	
5	F06	49805G120000	板式卡箍Φ14.5×12×0.8	PLATE CLAMP Φ14.5×12×0.8	1	0.40	
6	F06	49851H390000	组合阀与缸头连接管	PIPE,VALVE&ENGINE	1	1.80	
7	F06	49807H390000	单向阀与小空滤器连接管	PIPE,VALVE&SMALL AIR CLEANER	1	22.20	
8	F06	49870K990001	小空滤器组件	SMALL AIR CLEANER	1	12.10	
9	F06	49855J000000	耐热管卡箍Φ16.5×10×1	PLATE CLAMP Φ16.5×10×1	2	1.30	
10	F06	B01090602065	螺栓M6×20	BOLT M6×20	2	0.40	
11	F06	B01090601265	螺栓M6×12	BOLT M6×12	1	0.40	
12	F06	B16010B24001	油管Φ3.5×7.5×400	PIPE Φ3.5×7.5×400	1	5.80	
13	F06	49806J000000	油管卡箍Φ7×7×0.6	CLIP Φ7×7×0.6	2	0.30	
14	F06	B17010150003	钢丝卡箍15	WIRE CLAMP Φ15	2	0.30	
15	F06	49613B720000	进气管海绵	SPONGE	1		
16	F06	58430J000000	线夹组件	CLIP	1	1.60	

F07 油箱 FUEL TANK



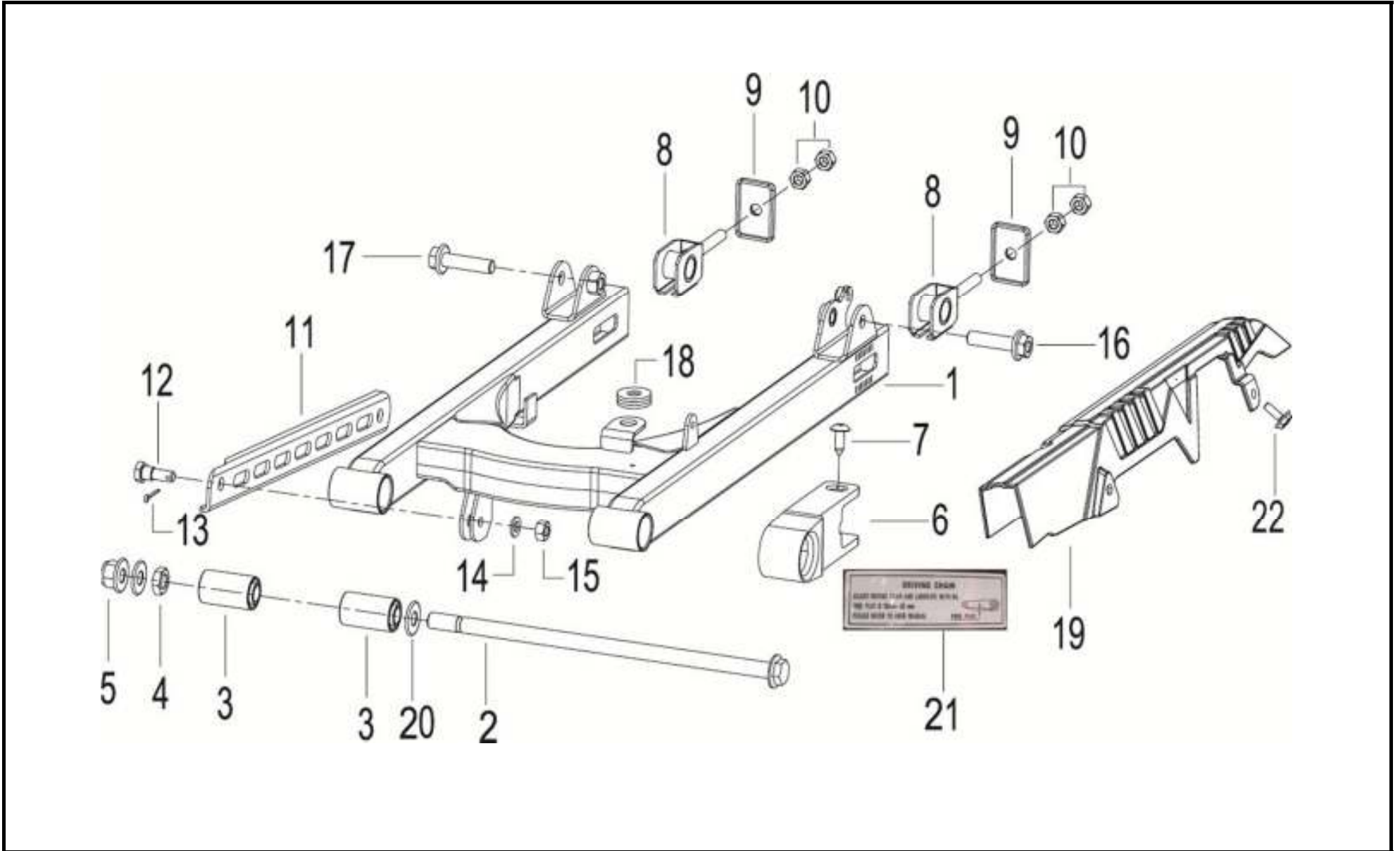
NO.	Position No.	CODE	CN DESCRIPTION	EN DESCRIPTION	Qty /Unit	price (RM)	NOTES
1	F07	50100J890001	油箱体组件	FUEL TANK ASSY.	1	71.00	
2	F07	B01090601265	螺栓M6×12	BOLT M6×12	4	0.40	
3	F07	50200H290000	油箱盖组件	COVER ASSY.,FUEL TANK	1	13.70	
4	F07	50300H390000	油箱开关组件	FUEL COCK ASSY	1	13.70	
5	F07	B02050601264	内六角螺钉M6×12	SCREW M6×12	1	0.50	
6	F07	50810J890000	燃油传感器分组件	FUEL SENSOR ASSY.	1	20.50	
7	F07	50004B920000	油位传感器胶垫	RUBBER PAD, SENSOR, OIL LEVEL INDICATOR	1	0.90	
8	F07	08016B920200	组合螺钉	SCREW W/WASHER	4	0.30	
9	F07	50340G120002	过滤器组件	FILTER ASSY.	1	7.00	
10	F07	B17010080003	卡箍Φ8	CLIP Φ8	8	0.40	
11	F07	50301T800000	油箱与过滤器连接管 \varnothing 9X \varnothing 5	TUBE \varnothing 9X \varnothing 5	1	2.60	
12	F07	B16010C22501	油管4.5×8.5×250	TUBE 4.5×8.5×250	1	3.70	
12	F07	B16010C25001	油管4.5×8.5×500	TUBE 4.5×8.5×500	1		
13	F07	B16010B23801	油管3.5×7.5×380	PIPE 3.5×7.5×380	1	4.50	

F08 座垫 SEAT ASSY.



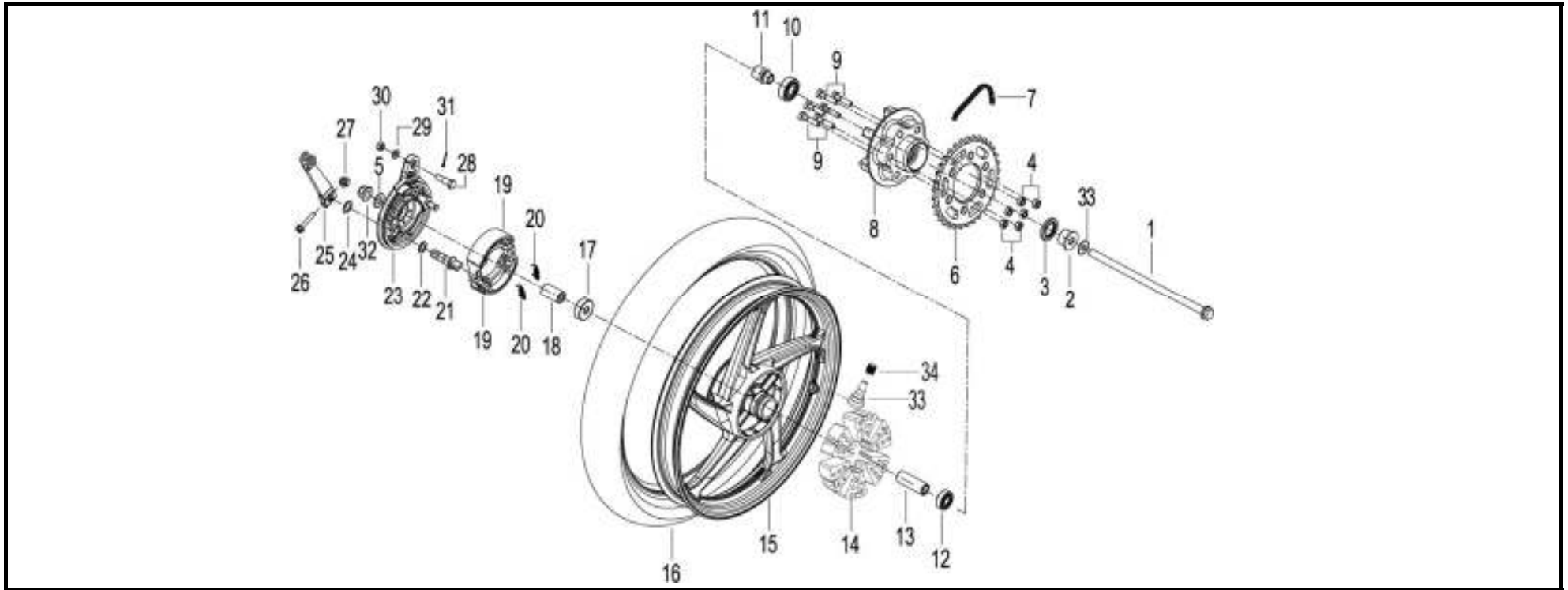
NO.	Position No.	CODE	CN DESCRIPTION	EN DESCRIPTION	Qty /Unit	price (RM)	NOTES
1	F08	51004H390001	头盔桶	HELMET BOX	1	65.60	
2	F08	B01090803065	螺栓M8×30	BOLT M8×30	4	0.90	
3	F08	58601H290000	前脚踏杆安装衬套	CUSHION BUSHING	4	2.50	
4	F08	58602H010001	前脚踏缓冲橡胶垫	BUFFER RUBBER CUSHION	4	0.70	
5	F08	B05074201605	自攻螺钉ST4.2×16	TAPPING SCREW ST4.2×16	3	0.30	
6	F08	65813H390001	蓄电池盒盖	COVER,BATTERY	1	10.70	
7	F08	51100H390020	座垫组件	SEAT COMP.	1	100.00	

F09 后摆臂 REAR SWINGING ARM ASSY.



NO.	Position No.	CODE	CN DESCRIPTION	EN DESCRIPTION	Qty /Unit	price (RM)	NOTES
1	F09	53100H390001	后摆臂焊接组件	REAR SWING ARM ASSY	1	76.30	
2	F09	53001J670001	后摆臂安装轴M12×1.25×285	SHAFT, FIX, RR. SWING ARM M12×1.25×285	1	13.50	
3	F09	53200J040000	后摆臂轴套组件	BUSH, ASSY., RR. SWING ARM	2	5.60	
4	F09	B04031212514	薄螺母M12×1.25	NUT M12×1.25	1	0.60	
5	F09	B04171212545	自锁螺母M12×1.25	NUT M12×1.25	1	2.30	
6	F09	53004J890000	链条防护块	CHAIN SHIELD BLOCK	1	15.60	
7	F09	B05074201305	自攻螺钉ST4.2×13	TAPPING SCREW ST4.2×13	1	0.30	
8	F09	53230J890000	链条调节器组件	CHAIN TENSION ADJUSTER ASSEMBLY	2	7.80	
9	F09	53234U190000	链条调节器压板	PRESS PLATE ASSY.	2	2.00	
10	F09	B04000800055	螺母M8	NUT M8	4	0.40	
11	F09	53204H030000	连杆	CONNECTION ROD	1	7.60	
12	F09	53011G120050	连杆固定螺栓M8×25	BOLT M8×25	1	0.70	
13	F09	B090002018A5	开口销2×18	COTTER PIN 2×18	1	0.30	
14	F09	B07030000805	垫圈8	WASHER 8	1	0.30	
15	F09	B04000800055	螺母M8	NUT M8	1	0.40	
16	F09	B01591003565	螺栓M10×1.25×35	BOLT M10×1.25×35	1	2.50	
17	F09	B01591004065	螺栓M10×1.25×40	BOLT M10×1.25×40	1	3.00	
18	F09	65618J000000	护板橡胶垫	RUBBER CUSHION	1	0.50	
19	F09	4051A-SM-000		CHAIN COVER	1	6.00	
20	F09	08041J570000	后摆臂安装轴垫圈Φ32×Φ13×2	WASHER Φ32×Φ13×2	2	1.30	
21	F09	05551J000010	链条调整标志	LABEL	1	0.30	
22	F19	B01090601265	螺栓M6×12	BOLT M6×12	1	0.40	

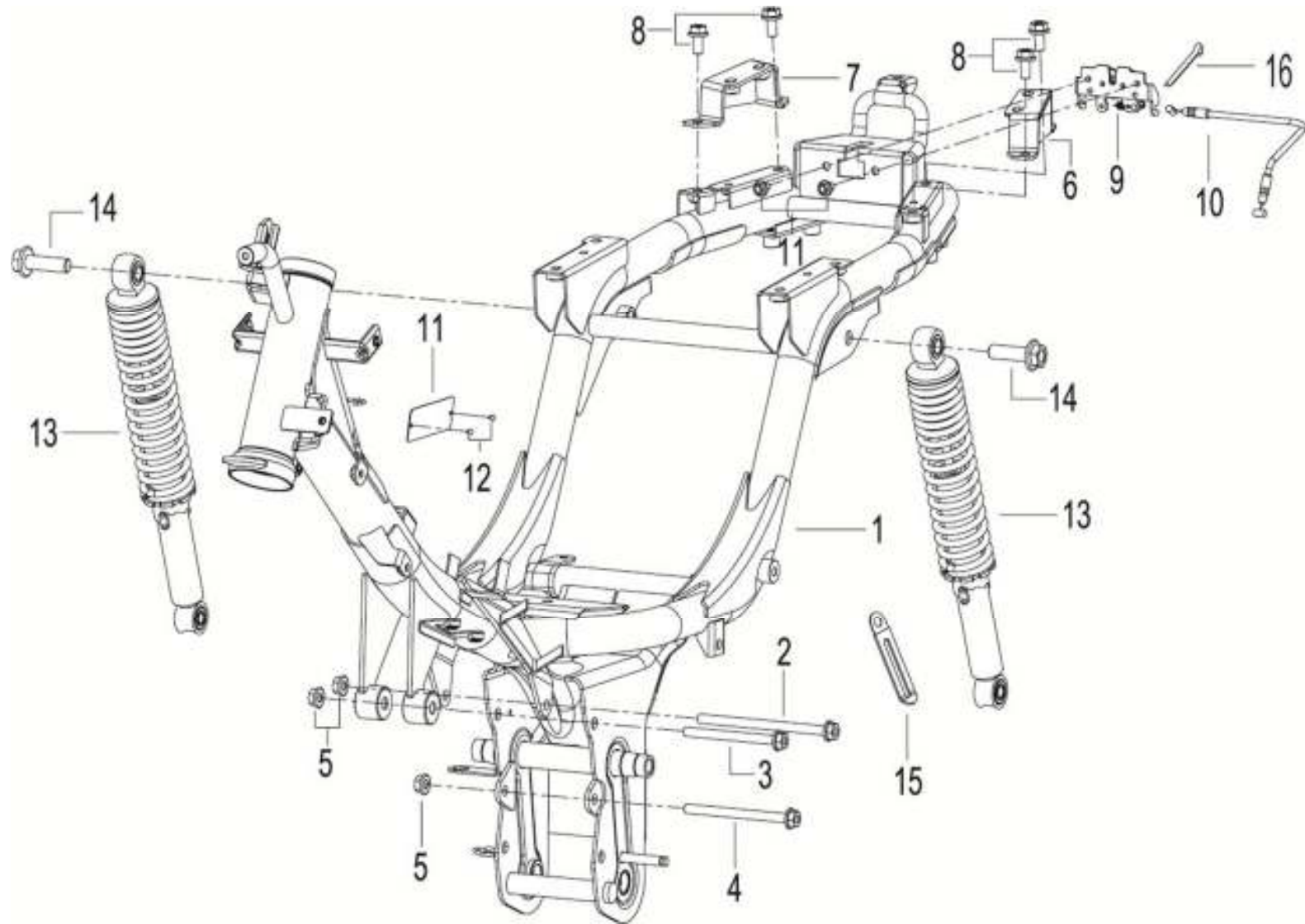
F10 后轮 REAR WHEEL ASSY.



NO.	Position No.	CODE	CN DESCRIPTION	EN DESCRIPTION	Qty /Unit	price (RM)	NOTES
1	F10	54004J890000	后轮轴M14×1.5×266	REAR WHEEL SHAFT M14×1.5×266	1	25.30	
2	F10	54016J800000	后轮左轴套	BUSH,LEFT REAR WHEEL	1	4.70	
3	F10	60200J000001	防尘圈组件	DUST SEAL ASSY	1	2.60	
4	F10	B0417101254H	自锁螺母M10×1.25	LOCKING NUT M10×1.25	6	1.50	
5	F10	08041J570000	后摆臂安装轴垫圈Φ32×Φ13×2	WASHER Φ32×Φ13×2	2	1.30	
6	F10	60002U190000	链轮34齿	SPROCKET 34TEETH	1	21.20	
6	F10	60002U190000-36T	链轮36齿	SPROCKET 36TEETH	1	23.80	
7	F10	B1502H1108B0	链条428H-1×108	CHAIN 428H-1×108	1	28.60	
7	F10	B1502H1110B0	链条428H-1×110	CHAIN 428H-1×110	1	29.30	

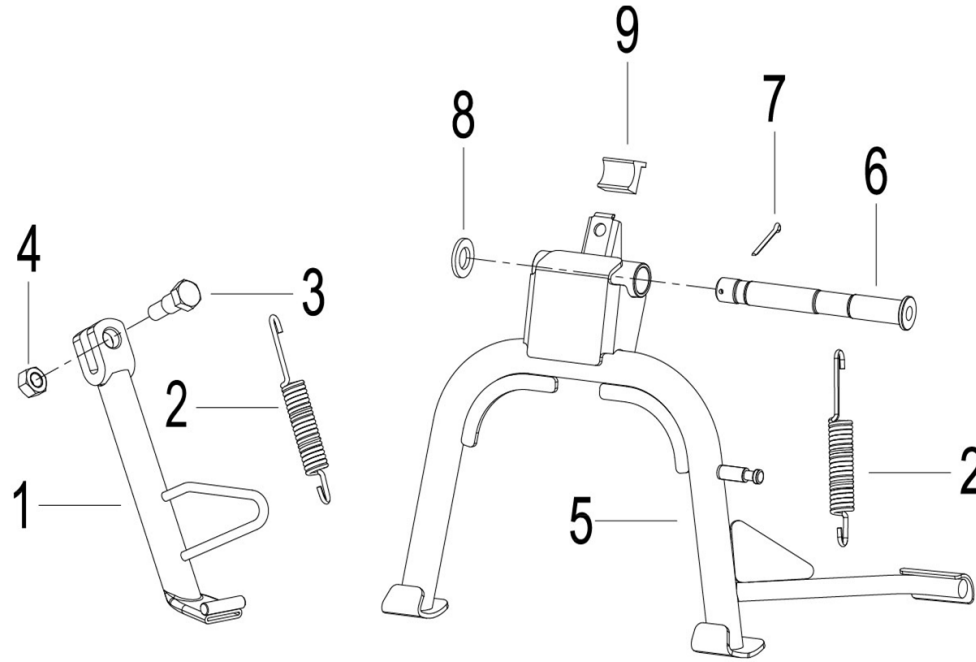
NO.	Position No.	CODE	CN DESCRIPTION	EN DESCRIPTION	Qty /Unit	price (RM)	NOTES
8	F10	60001N21HT00	链轮毂(钱江灰HT)	REAR WHEEL DRIVE HUB,GREY HT	1	28.60	
9	F10	60015U190000	链轮安装螺栓	BOLT	6	2.00	
10	F10	B12016020400	滚动轴承6204-2RS	BEARING 6204-2RS	1	9.20	
11	F10	60006J000001	链传动轴套	REAR WHEEL AXLE SLEEVE	1	19.20	
12	F10	B12016020200	滚动轴承6202-2RS	BEARING 6202-2RS	1	3.90	
13	F10	54006U190000	后轮中间轴套	SHAFT SLEEVE	1	5.60	
14	F10	54024N210000	后轮缓冲块	REAR WHEEL DRIVE HUB DAMPER	6	4.30	
15	F10	54100H25HT02	后轮圈组件	REAR WHEEL ASSY.	1	234.00	
16	F10	AC-VRM399R		REAR TIRE (80/90-17)	1	51.00	
17	F10	B12016020200	滚动轴承6202-2RS	BEARING 6202-2RS	1	3.90	
18	F10	54005U190000	后轮右轴套	REAR WHEEL RIGHT COLLAR	1	8.00	
19	F10	54200K200000	制动蹄块组件	BRAKE SHOE	2	12.00	
20	F10	52815B290000	前拉紧弹簧	SPRING,BRAKE SHOE	2	0.50	
21	F10	54003G530000	后制动凸轮轴	CAMSHAFT,BRAKE,REAR	1	5.00	
22	F10	54021J000000	O型密封圈18×2.4	O RING 18×2.4	1	0.20	
23	F10	54400G53HT00	后毂盖组件(钱江灰HT)	PANEL ASSY.,REAR HUB,GREY HT	1	37.20	
24	F10	54021T020000	凸轮轴密封圈	CAM SHAFT SEAL	1	0.40	
25	F10	54007G530000	后制动摇臂	LEVER,BRAKE CAM	1	5.40	
26	F10	B01090603563	螺栓M6×35	BOLT M6×35	1	0.30	
27	F10	B04070600053	螺母M6	NUT M6	1	0.30	
28	F10	54023J04005A	后轮毂盖螺栓M8×31	BOLT M8×31	1	1.10	
29	F10	B07030000805	垫圈8	WASHER 8	1	0.30	
30	F10	B04000800055	螺母M8	NUT M8	1	0.40	
31	F10	B090002018A5	开口销2×18	COTTER PIN 2×18	1	0.30	
32	F10	B04171415045	自锁螺母M14×1.5	NUT M14×1.5	1	1.90	
33	F10	B1403Z201100	气门嘴Z2-01-1直	AIR VALVE/RIM VALVE	1	4.80	
34	F10	B1404Z2011A0	气门嘴帽Z2-01-1	CAP, VALVE	1	0.40	

F11 车架 FRAME BODY



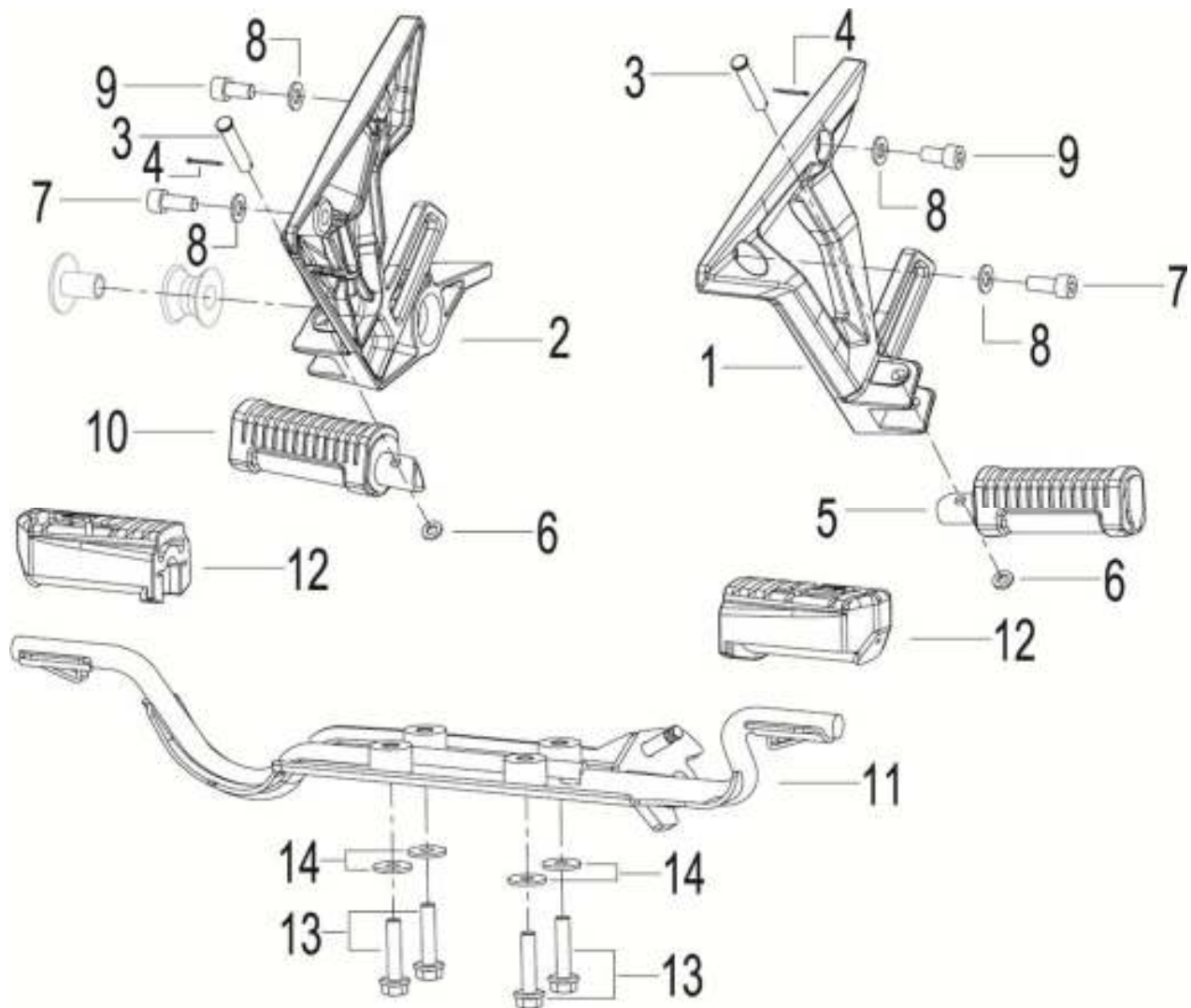
NO.	Position No.	CODE	CN DESCRIPTION	EN DESCRIPTION	Qty /Unit	price (RM)	NOTES
1	F11	57100H390000	车架焊接组件	FRAME ASSY.COMP.	1	525.00	
2	F11	B01090811263	螺栓M8×112	BOLT M8×112	1	2.60	
3	F11	B01090808065	螺栓M8×80	BOLT M8×80	1	2.00	
4	F11	08011U190000	发动机下固定螺栓M8×110	BOLT M8×110	1	2.50	
5	F11	B04070800053	螺母M8	NUT M8	3	0.50	
6	F11	57760H390000	后扶手左安装座	INSTALL SEAT,LEFT	1	4.70	
7	F11	57770H390000	后扶手右安装座	INSTALL SEAT,RIGHT	1	7.00	
8	F11	B01090801665	螺栓M8×16	BOLT M8×16	4	0.60	
9	F11	58800B410000	座垫锁座组件	SAET LOCK BRACKET ASSY	1	11.60	
10	F11	58900B920000	座垫钢索组件	SEAT LOCK CABLE ASSY	1	2.50	
12	F11	B100432007P0	抽芯铆钉3.2×7	RIVET 3.2×7	2	0.30	
13	F11	52400-SM-0000		REAR ABSORBER	2	69.00	
14	F11	B01591204065	螺栓M12×1.25×40	BOLT M10×1.25×115	2	4.30	
15	F11	58430J670000	线夹组件II	CLIP	1	1.00	
16	F11	B09001601615	开口销1.6×16	COTTER PIN 1.6×16	1	0.20	

F12 中撑/单撑 MAIN STAND ASSY



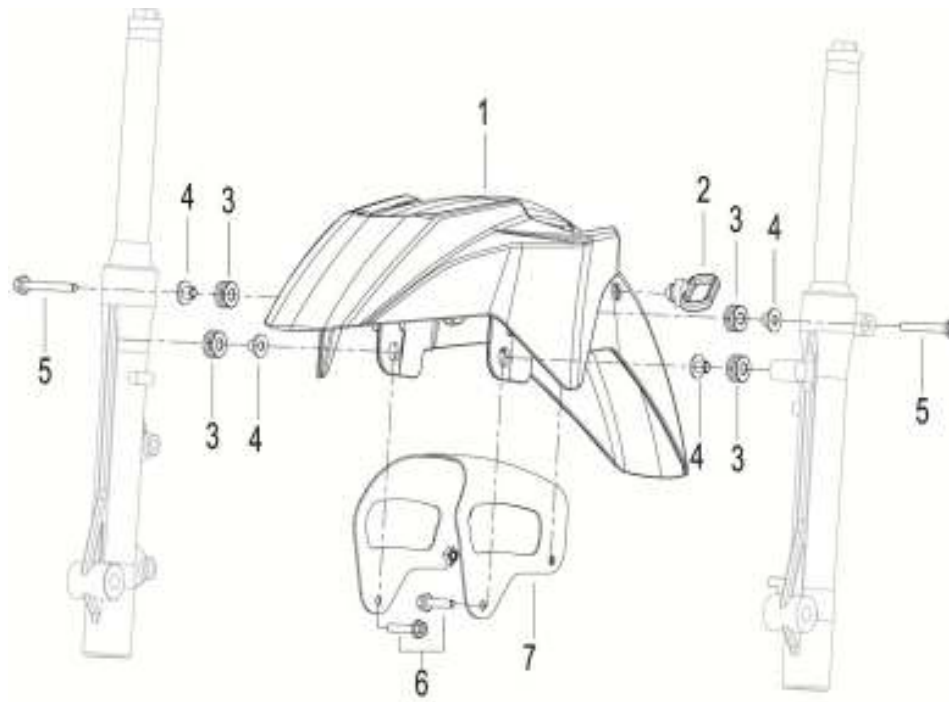
NO.	Position No.	CODE	CN DESCRIPTION	EN DESCRIPTION	Qty /Unit	price (RM)	NOTES
1	F12	58700H170010	单撑焊接组件	SIDE STAND ASSY	1	14.30	
2	F12	57003H010070	单撑复位弹簧	SPRING,SIDE STAND	2	3.00	
3	F12	57005K010000	单撑螺栓M10×1.25×35	BOLT M10×1.25×35	1	1.50	
4	F12	B04011012555	螺母M10×1.25	SELF-LOCKING NUT M10×1.25	1	0.40	
5	F12	58520H390002	中撑焊接组件	MID STAND ASSY.	1	45.40	
6	F12	58501J890000	中撑轴	SHAFT,MID STAND	1	6.40	
7	F12	B090003025A5	开口销3×25	COTTER PIN 3×25	1	0.30	
8	F12	08025J000000	垫圈Φ17.5×Φ26×2.5	WASHER Φ17.5×Φ26×2.5	1	1.10	
9	F12	58507J040000	中撑缓冲块	BUFFER BLOCK,MAIN STAND	1	0.80	

F13 脚踏 PEDALING ASSY.



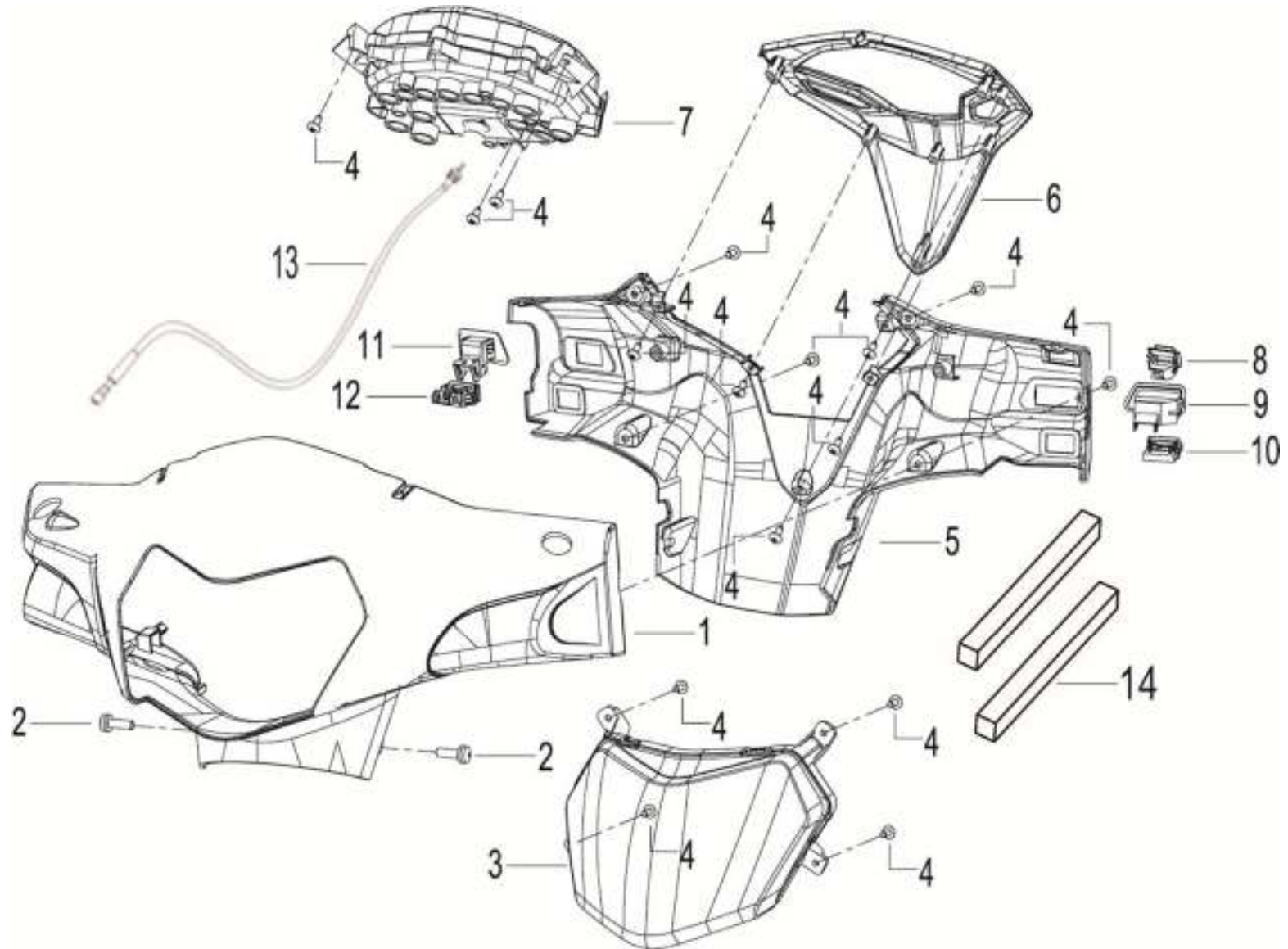
NO.	Position No.	CODE	CN DESCRIPTION	EN DESCRIPTION	Qty /Unit	price (RM)	NOTES
1	F13	58211H390001	左后脚踏支架	BRACKET,LEFT REAR PEDAL	1	28.60	
2	F13	58311H390001	右后脚踏支架	BRACKET,RIGHT REAR PEDAL	1	33.10	
3	F13	B090408040B4	销轴 $\phi 8 \times 40$	PIN SHAFT $\phi 8 \times 40$	2	1.20	
4	F13	B09002502413	开口销 2.5×24	COTTER PIN 2.5×24	2	0.30	
5	F13	58260G530000	左后脚踏组件	FOOT REST PEDAL,LEFT	1	16.10	
6	F13	B07030000804	垫圈8	WASHER 8	2	0.30	
7	F13	B0205080206H	内六角螺钉 $M8 \times 20$	SCREW $M8 \times 20$	2	1.10	
8	F13	B07030000802	垫圈8	WASHER 8	4	0.30	
9	F13	B0205080166H	内六角螺钉 $M8 \times 16$	SCREW $M8 \times 16$	2	0.50	
10	F13	58280G530000	右后脚踏组件	FOOT REST PEDAL,RIGHT	1	16.10	
11	F13	58610U160001	前脚踏杆焊接组件	FR.PEDAL ASSY	1	109.60	
12	F13	58221U160000	脚踏橡胶套	RUBBER,PEDAL	2	6.90	
13	F13	B01090803565	螺栓 $M8 \times 35$	BOLT $M8 \times 35$	4	2.20	
14	F13	B07020000805	垫圈	WASHER	4	0.20	

F14 前泥板 FRONT FENDER ASSY.



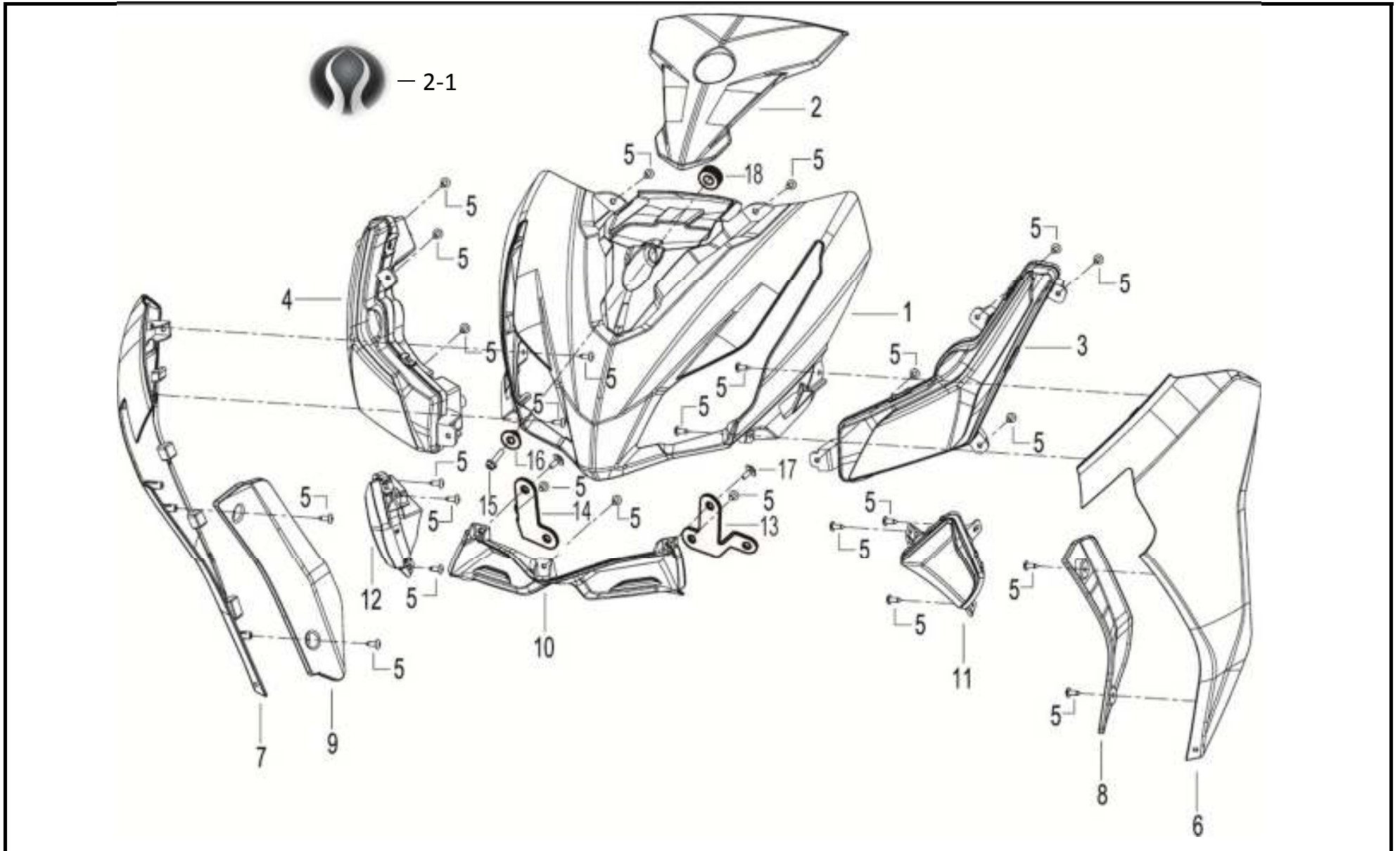
NO.	Position No.	CODE	CN DESCRIPTION	EN DESCRIPTION	Qty /Unit	price (RM)	NOTES
1	F15	65101H39F900	前挡泥板(TNT2#红F9)	FRONT FENDER,RED F9,WITHOUT STICKER	1	59.30	
1	F15	65101H39YP00	前挡泥板(温莎黄YP)	FRONT FENDER,YELLOW YP,WITHOUT STICKER	1	59.30	
1	F15	65101H39E400	前挡泥板(银蓝E4)	FRONT FENDER,BLUE E4,WITHOUT STICKER	1	59.30	
2	F14	65111H170000	线环	RING	1	1.30	
3	F14	65115N140000	橡胶缓冲块	RUBBER CUSHION BLOCK	4	0.50	
4	F14	270975050000	衬套	BUSHING	4	1.30	
5	F14	B01090604065	螺栓M6×40	BOLT M6×40	2	1.10	
6	F14	B01090602565	螺栓M6×25	BOLT M6×25	2	0.60	
7	F14	65120H390000	前泥板加强板组件	REINFORCING PLATE	1	13.90	

F15 龙头护罩, 仪表, 前照灯 HANDLE COVER&SPEEDOMETER&FRONT HEAD LAMP



NO.	Position No.	CODE	CN DESCRIPTION	EN DESCRIPTION	Qty /Unit	price (RM)	NOTES
1	F15	65201H39F901	龙头前护罩(TNT2#红F9)	HANDLE COVER,FRONT,RED F9	1	41.60	
1	F15	65201H39YP01	龙头前护罩(温莎黄YP)	HANDLE COVER,FRONT,YELLOW YP	1	41.60	
1	F15	65201H39E401	龙头前护罩(银蓝E4)	HANDLE COVER,FRONT,BLUE E4	1	41.60	
1	F15	65201H39009Z	龙头前护罩(银蓝E4)带keeway贴花	HANDLE COVER,FRONT,BLUE E4,WITH KEEWAY STICKER	1	39.10	
1	F15	65201H39010Z	龙头前护罩(TNT2#红F9)带keeway贴花	HANDLE COVER,FRONT,RED F9,WITH KEEWAY STICKER	1	39.10	
1	F15	65201H39011Z	龙头前护罩(温莎黄YP)带keeway贴花	HANDLE COVER,FRONT,YELLOW YP,WITH KEEWAY STICKER	1	39.10	
2	F15	B13010501605	组合螺钉M6×16	SCREW M6×16	2	0.70	
3	F15	80000H390002	前照灯	HEAD LIGHT	1	80.80	
4	F15	B05074201305	自攻螺钉ST4.2×13	TAPPING SCREW ST4.2×13	16	0.30	
5	F15	65202H390000	龙头后护罩	HANDLE COVER,REAR	1	13.30	
6	F15	65214H39CJ00	仪表装饰板(400闪银CJ)	DECORATIVE PLATE,SPEEDOMETER,SILVER	1	21.10	
7	F15	70000H390101	仪表总成(大灯常亮)	METER ASSY,AHO (LIGHT ALWAYS ON)	1	92.30	
7	F15	70000H390005	仪表总成(大灯不常亮)	METER ASSY,NON-AHO, (LIGHT NO ALWAYS ON)	1	103.50	
8	F15	91130H360000	变光开关	DIMMER SWITCH	1	9.30	
9	F15	91120H360000	转向开关	SWITCH,TURN SIGNAL	1	9.30	
10	F15	91110H360000	喇叭开关	SWITCH,HORN	1	9.30	
11	F15	91100H360000	大灯开关	SWITCH,HEAD LIGHT	1	11.60	
11	F15	65215H360000	大灯开关堵头	SWITCH COVER,HEAD LIGHT	1	0.30	
12	F15	91140H360000	启动开关	START SWITCH	1	9.30	
13	F15	72900J890000	里程表转速线	SPEEDOMETER WIRE	1	13.00	
14	F15	50026U200000	橡胶护条	RUBBER	2	0.30	

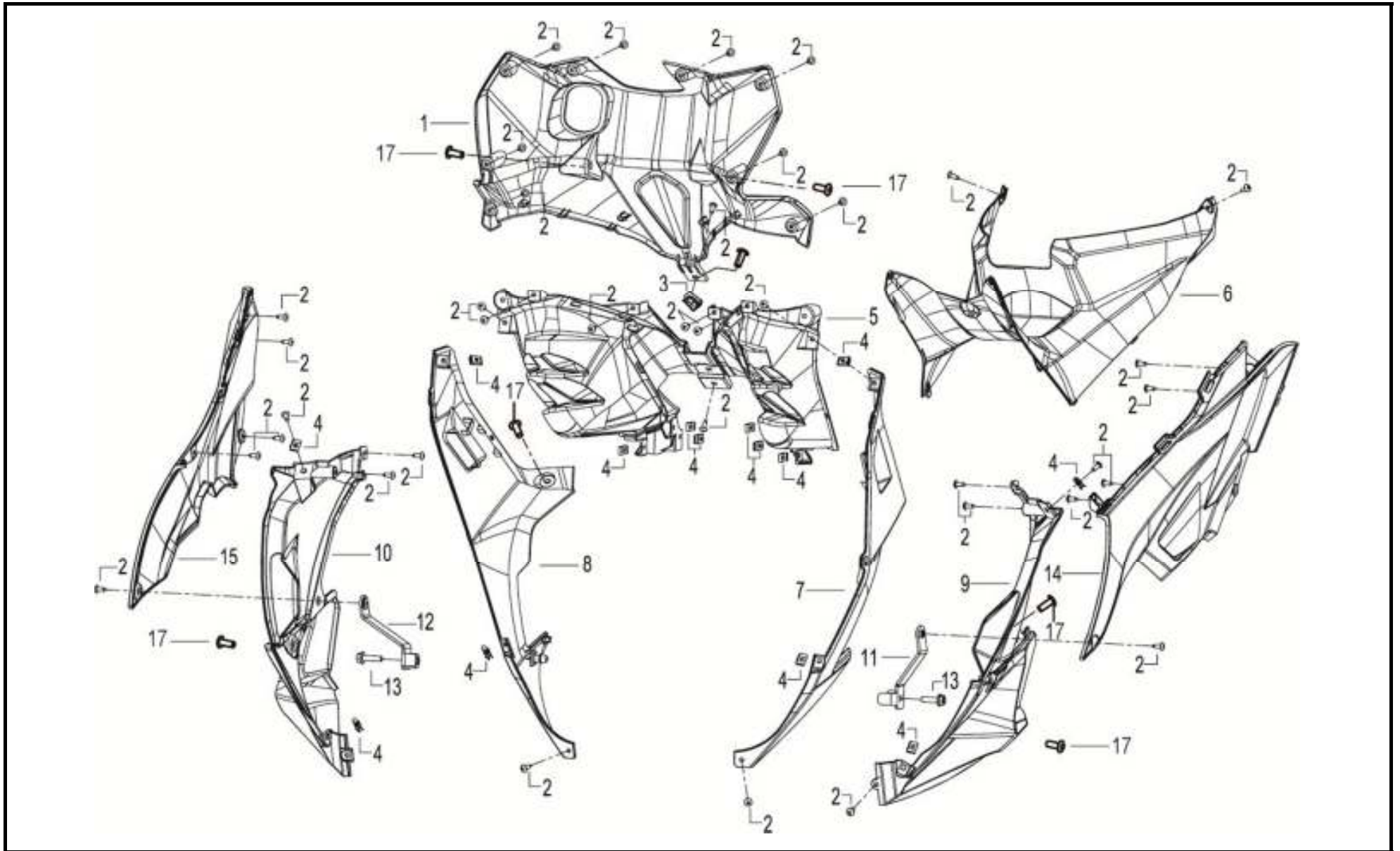
F16前大罩 FRONT COVER ASSY.



NO.	Position No.	CODE	CN DESCRIPTION	EN DESCRIPTION	Qty /Unit	price (RM)	NOTES
1	F16	65301H39F901	前大罩面板(TNT2#红F9)	FRONT FACEPLATE,RED F9,WITHOUT STICKER	1	62.70	
1	F16	65301H39YP01	前大罩面板(温莎黄YP)	FRONT FACEPLATE,YELLOW YP,WITHOUT STICKER	1	62.70	
1	F16	65301H39E401	前大罩面板(银蓝E4)	FRONT FACEPLATE,BLUE E4,WITHOUT STICKER	1	62.70	
1	F16	65301H39027Z	前大罩面板(银蓝E4)带贴花	FRONT FACEPLATE,BLUE E4,WITH STICKER	1	62.70	
1	F16	65301H39028Z	前大罩面板(TNT2#红F9)带贴花	FRONT FACEPLATE,RED F9,WITH STICKER	1	62.70	
1	F16	65301H39029Z	前大罩面板(温莎黄YP)带贴花	FRONT FACEPLATE,YELLOW YP,WITH STICKER	1	62.70	
2	F16	65303H39BA01	前面板装饰板(平光银黑BA)	DECORATIVE PLATE,FRONT FACEPLATE,BLACK BA	1	10.50	
2-1	F16	87121-SM-000		LOGO SM SPORT	1	4.40	
3	F16	81900H390001	前夜灯左灯	FRONT LEFT LAMP	1	58.90	
4	F16	83900H390001	前夜灯右灯	FRONT RIGHT LAMP	1	58.90	
5	F16	B05074201305	自攻螺钉ST4.2×13	TAPPING SCREW ST4.2×13	23	0.30	
6	F16	65402H39E401	左脚防护板(银蓝E4)	FOOT PROTECTIVE PLATE,LEFT,BLUE E4	1	24.70	
6	F16	65402H39F901	左脚防护板(TNT2#红F9)	FOOT PROTECTIVE PLATE,LEFT,RED F9	1	24.70	
6	F16	65402H39YP01	左脚防护板(温莎黄YP)	FOOT PROTECTIVE PLATE,LEFT,YELLOW YP	1	24.70	
6	F16	65402H39015Z	左脚防护板(银蓝E4)带贴花	FOOT PROTECTIVE PLATE,LEFT,BLUE E4,WITH STICKER	1	23.80	
6	F16	65402H39016Z	左脚防护板(TNT2#红F9)带贴花	FOOT PROTECTIVE PLATE,LEFT,RED F9,WITH STICKER	1	23.80	
6	F16	65402H39017Z	左脚防护板(温莎黄YP)带贴花	FOOT PROTECTIVE PLATE,LEFT,YELLOW YP,WITH STICKER	1	23.80	
7	F16	65422H39E401	右脚防护板(银蓝E4)	FOOT PROTECTIVE PLATE,RIGHT,BLUE E4	1	23.80	
7	F16	65422H39F901	右脚防护板(TNT2#红F9)	FOOT PROTECTIVE PLATE,RIGHT,RED F9	1	23.80	
7	F16	65422H39YP01	右脚防护板(温莎黄YP)	FOOT PROTECTIVE PLATE,RIGHT,YELLOW YP	1	23.80	
7	F16	65422H39015Z	右脚防护板(银蓝E4)带贴花	FOOT PROTECTIVE PLATE,RIGHT,BLUE E4,WITH STICKER	1	23.80	
7	F16	65422H39016Z	右脚防护板(TNT2#红F9)带贴花	FOOT PROTECTIVE PLATE,RIGHT,RED F9,WITH STICKER	1	23.80	
7	F16	65422H39017Z	右脚防护板(温莎黄YP)带贴花	FOOT PROTECTIVE PLATE,RIGHT,YELLOW YP,WITH STICKER	1	23.80	
8	F16	65381H390001	左内联接板	LEFT CONNECTION PLATE,INNER	1	1.60	
9	F16	65382H390001	右内联接板	RIGHT CONNECTION PLATE,INNER	1	1.60	

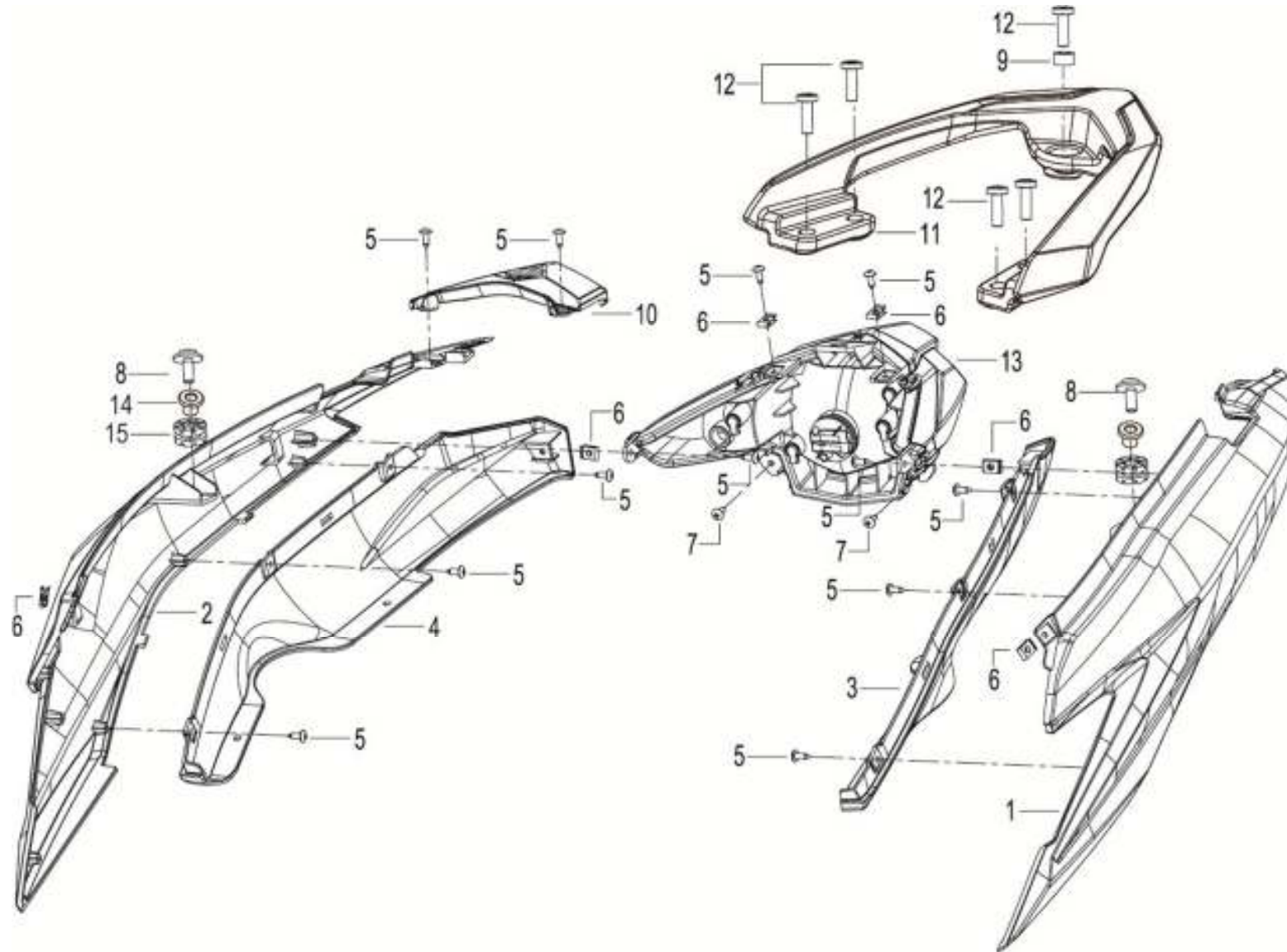
NO.	Position No.	CODE	CN DESCRIPTION	EN DESCRIPTION	Qty /Unit	price (RM)	NOTES
10	F16	65315H390001	前大罩面板下装饰罩	DECORATIVE COVER	1	1.70	
11	F16	81100H390001	前左转向灯	FRONT LEFT TURN SIGNAL LIGHT	1	33.40	
12	F16	81300H390001	前右转向灯	FRONT RIGHT TURN SIGNAL LIGHT	1	33.40	
13	F16	65326H390001	装饰罩左连接板	LEFT CONNECTING PLATE	1	0.70	
14	F16	65327H390001	装饰罩右连接板	RIGHT CONNECTING PLATE	1	0.70	
15	F16	B01090602065	螺栓M6×20	BOLT M6×20	1	0.40	
16	F16	50014J690000	橡胶垫衬管	BUSH	1	2.00	
17	F16	B13060601605	组合螺钉M6×16	SCREW W/WASHER M6×16	2	0.40	
18	F16	43052J210000	橡胶垫	RUBBER CUSHION	1	0.40	

F17 脚防护板 FOOT PROTECTIVE SHIELD



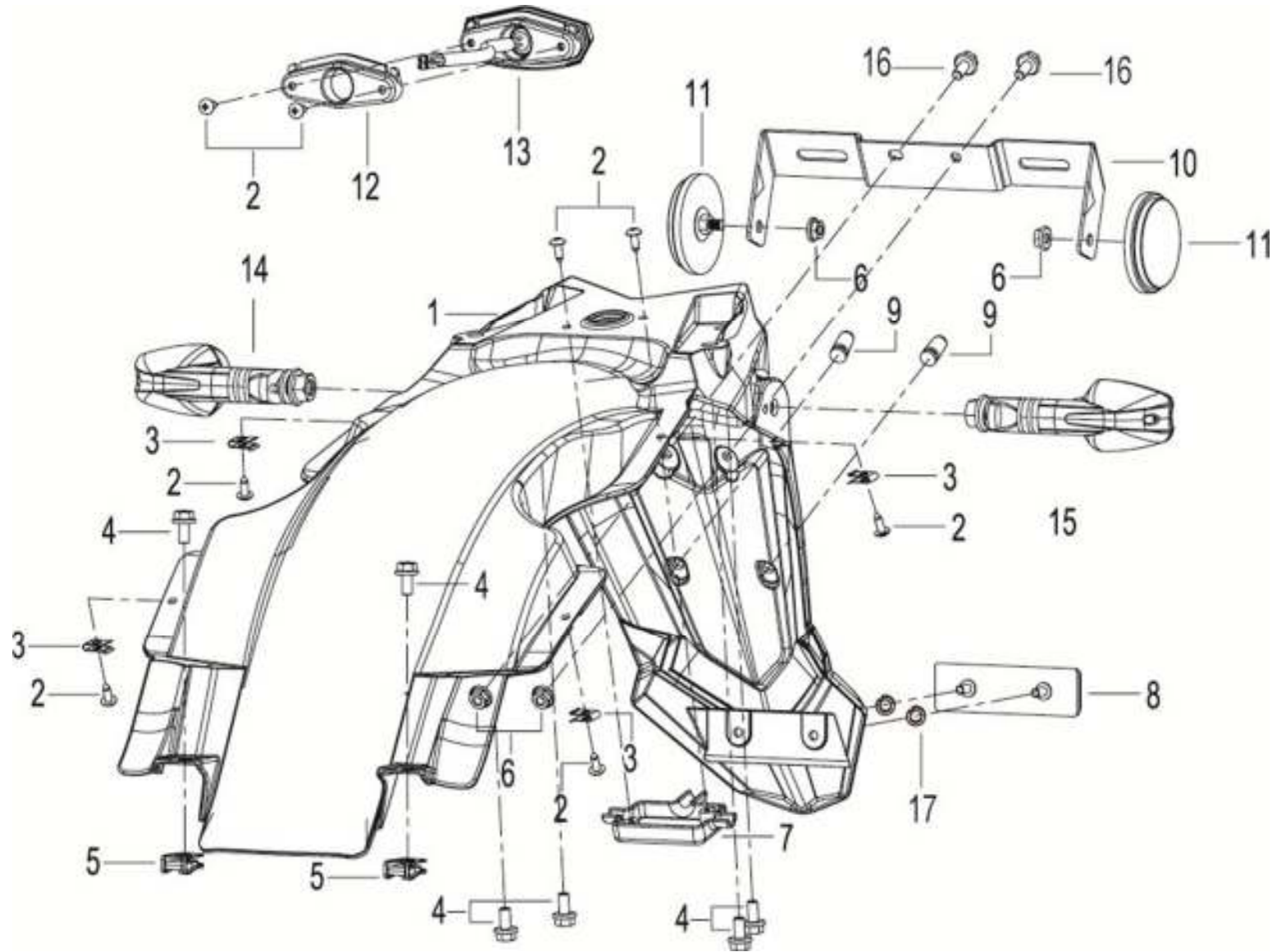
NO.	Position No.	CODE	CN DESCRIPTION	EN DESCRIPTION	Qty /Unit	price (RM)	NOTES
1	F17	65402H39H200	脚防护板 I (魔力黑H2)	FOOT PROTECTIVE SHIELD,GREY H2	1	52.50	
2	F17	B05074201305	自攻螺钉ST4.2×13	TAPPING SCREW ST4.2×13	37	0.30	
3	F17	65625J560000	卡螺母	CARD NUT	1	1.10	
4	F17	65801S010000	卡片ST4.2	INSERT ST4.2	10	0.40	
5	F17	65422H390000	脚防护板 II	FOOT PROTECTIVE SHIELD	1	14.50	
6	F17	65419H390000	脚防护板护罩	FOOT PROTECTION PLATE SHIELD	1	10.80	
7	F17	65316H39BC00	左联接板(石墨黑BC)	LEFT CONNECTING PLATE,GRAPHITE BLACK BC	1	30.20	
7	F17	65316H39001Z	左联接板(石墨黑BC)带贴花	LEFT CONNECTING PLATE,GRAPHITE BLACK BC,WITH STICKER	1	30.20	
8	F17	65317H39BC00	右联接板(石墨黑BC)	RIGHT CONNECTION PLATE,GRAPHITE BLACK BC	1	30.20	
8	F17	65317H39001Z	右联接板(石墨黑BC)带贴花	RIGHT CONNECTING PLATE,GRAPHITE BLACK BC,WITH STICKER	1	30.20	
9	F17	65406H390000	左下联接板	LOWER LEFT CONNECTION PLATE	1	5.50	
10	F17	65407H390000	右下联接板	LOWER RIGHT CONNECTION PLATE	1	5.50	
11	F17	65460H390001	左下联接板安装座	SEAT,LEFT	1	4.90	
12	F17	65470H390001	右下联接板安装座	SEAT,RIGHT	1	4.90	
13	F17	B01090602565	螺栓M6×25	BOLT M6×25	2	0.60	
14	F17	65408H39BC00	左护条(石墨黑BC)	LEFT BEAD,GRAPHITE BLACK BC,WITHOUT STICKER	1	40.60	
14	F17	65408H39017Z	左护条(石墨黑BC)带贴花	LEFT BEAD,GRAPHITE BLACK BC,WITH BLUE STICKER	1	40.60	
14	F17	65408H39018Z	左护条(石墨黑BC)带贴花	LEFT BEAD,GRAPHITE BLACK BC,WITH RED STICKER	1	40.60	
14	F17	65408H39019Z	左护条(石墨黑BC)带贴花	LEFT BEAD,GRAPHITE BLACK BC,WITH YELLOW STICKER	1	40.60	
15	F17	65409H39BC00	右护条(石墨黑BC)	RIGHT BEAD,GRAPHITE BLACK BC,WITHOUT STICKER	1	40.60	
15	F17	65409H39017Z	右护条(石墨黑BC)带贴花	RIGHT BEAD,GRAPHITE BLACK BC,WITH BLUE STICKER	1	40.60	
15	F17	65409H39018Z	右护条(石墨黑BC)带贴花	RIGHT BEAD,GRAPHITE BLACK BC,WITH RED STICKER	1	40.60	
15	F17	65409H39019Z	右护条(石墨黑BC)带贴花	RIGHT BEAD,GRAPHITE BLACK BC,WITH YELLOW STICKER	1	40.60	
16	F17	B02060601625	螺钉M6×16	SCREW M6×16	7	0.40	

F18 护板&尾灯 SIDE COVER&TAIL LAMP



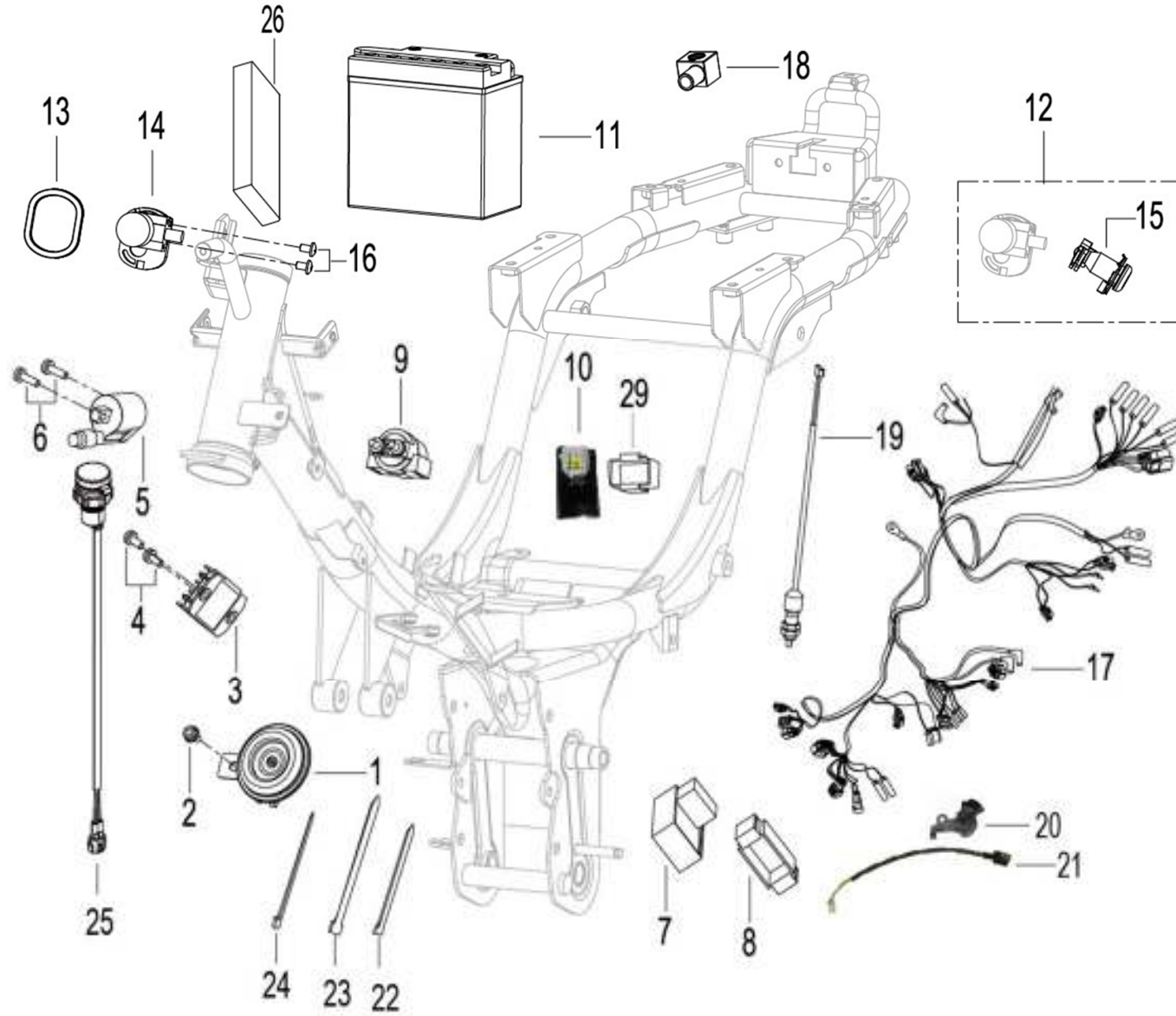
NO.	Position No.	CODE	CN DESCRIPTION	EN DESCRIPTION	Qty /Unit	price (RM)	NOTES
1	F18	65601H39BC00	左护板(石墨黑BC)	LEFT SIDE COVER,GRAPHITE BLACK BC,WITHOUT STICKER	1	36.90	
1	F18	65601H39027Z	左护板(石墨黑BC)带贴花	LEFT SIDE COVER,GRAPHITE BLACK BC,WITH BLUE STICKER	1	44.40	
1	F18	65601H39028Z	左护板(石墨黑BC)带贴花	LEFT SIDE COVER,GRAPHITE BLACK BC,WITH RED STICKER	1	44.40	
1	F18	65601H39029Z	左护板(石墨黑BC)带贴花	LEFT SIDE COVER,GRAPHITE BLACK BC,WITH YELLOW STICKER	1	44.40	
2	F18	65602H39BC00	右护板(石墨黑BC)	RIGHT SIDE COVER,GRAPHITE BLACK BC,WITHOUT STICKER	1	36.90	
2	F18	65602H39027Z	右护板(石墨黑BC)带贴花	RIGHT SIDE COVER,GRAPHITE BLACK BC,WITH BLUE STICKER	1	44.40	
2	F18	65602H39028Z	右护板(石墨黑BC)带贴花	RIGHT SIDE COVER,GRAPHITE BLACK BC,WITH RED STICKER	1	44.40	
2	F18	65602H39029Z	右护板(石墨黑BC)带贴花	RIGHT SIDE COVER,GRAPHITE BLACK BC,WITH YELLOW STICKER	1	44.40	
3	F18	65603H390000	左下护板	LEFT SIDE COVER,UNDER	1	7.60	
4	F18	65604H390000	右下护板	RIGHT SIDE COVER,UNDER	1	9.00	
5	F18	B05004201015	自攻螺钉ST4. 2×9. 5	TAPPING SCREW ST4.2×9.5	12	0.20	
6	F18	65801S010000	卡片ST4.2	INSERT ST4.2	6	0.40	
7	F18	B05074801305	自攻螺钉ST4.8×13	TAPPING SCREW M6×25	2	0.30	
8	F18	B13060602505	组合螺钉M6×25	SCREW M6×25	2	0.30	
9	F18	52009H390000	后扶手固定衬套Φ14×Φ8×8	BUSH Φ14×Φ8×8	1	1.20	
10	F18	65606H39BC00	左右护板后联接板(石墨黑BC)	CONNECTONG PLATE,GRAPHITE BLACK BC,WITHOUT STICKER	1	7.40	
11	F18	52002H39BA01	后扶手(平光银黑BA)	REAR CARRIER,SATIN BLACK BA	1	71.40	
12	F18	52018J800000	后货架螺钉I	GRAB RAIL SCREW	5	2.90	
13	F18	82000H390000	尾灯	TAIL LIGHT	1	72.00	
14	F18	08305J040050	衬套	BUSH	2	1.00	
15	F18	65618J820000	工字型橡胶	RUBBER BUSH	2	0.40	

F19 后挡泥板 REAR FENDER



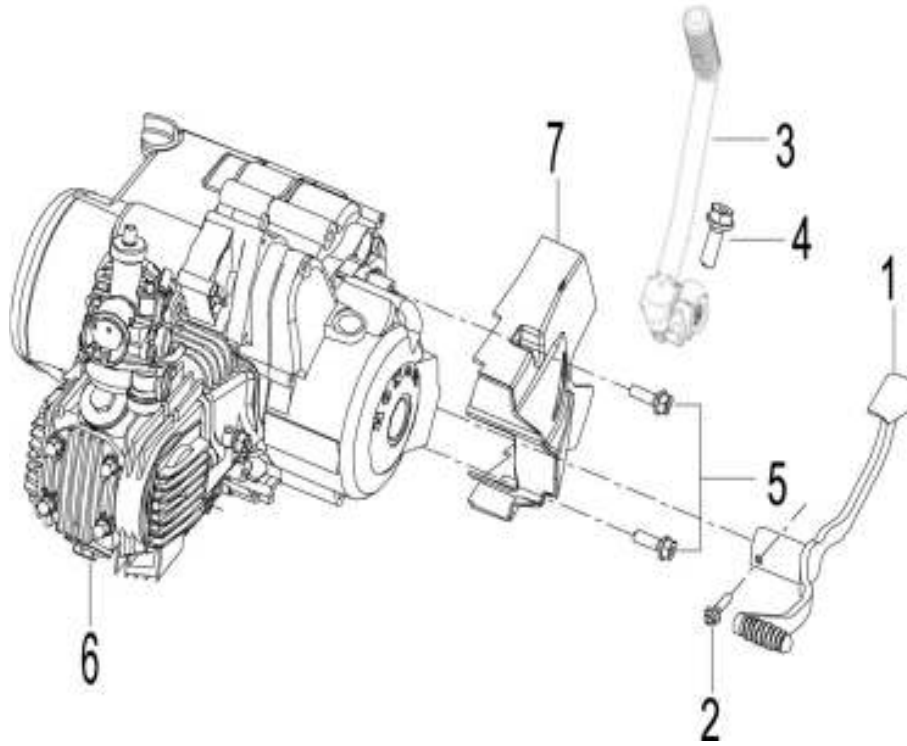
NO.	Position No.	CODE	CN DESCRIPTION	EN DESCRIPTION	Qty /Unit	price (RM)	NOTES
1	F19	65701H390000	后挡泥板	REAR FENDER	1	24.30	
2	F19	B05074201305	自攻螺钉ST4.2×13	TAPPING SCREW ST4.2×13	8	0.30	
3	F19	65801S010000	卡片ST4.2	INSERT ST4.2	4	0.40	
4	F19	B01090601265	螺栓M6×12	BOLT M6×12	6	0.40	
5	F19	65625J560000	卡螺母	CARD NUT	2	1.10	
6	F19	B04070600055	螺母M6	NUT M6	4	0.40	
7	F19	65722H390000	牌照灯线转向安装板	MOUNTING PLATE	1	2.20	
8	F19	86500B720001	后反射体	REAR REFLECTOR	1	6.00	
9	F19	65714J410000	橡胶垫 I	RUBBER MAT I	2	0.50	
10	F19	08252H360000	后牌照支架	REAR LINCENSE PLATE BRACKET	1	5.80	
11	F19	86300J000002	侧反射体组件	THE SIDE REFLECTOR COMPONENTS	2	3.60	
12	F19	65716H390000	后牌照灯安装板	INSTALLATION PLATE	1	1.40	
13	F19	82900T750002	牌照灯	LICENSE PLATE LAMP	1	12.10	
14	F19	81700K980000	后右转向灯	REAR RIGHT TURN SIGNAL LIGHT	1	46.90	
15	F19	81500K980000	后左转向灯	REAR LEFT TURN SIGNAL LIGHT	1	46.90	
16	F19	B01090601665	螺栓M6×16	BOLT M6×16	2	0.40	
17	F19	B07000000603	弹簧垫圈6	SINGLE COIL SPRING LOCK WASHER 6	2	0.30	

F20 电器 ELECTRICAL EQUIPMENT ASSY.



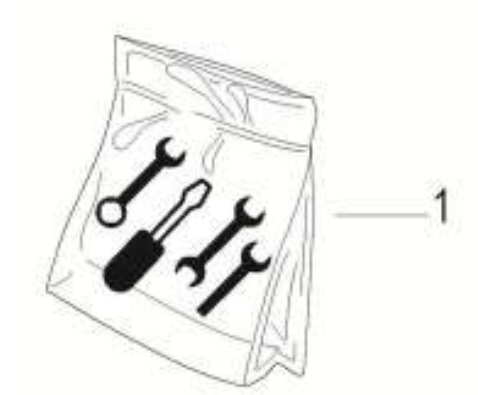
NO.	Position No.	CODE	CN DESCRIPTION	EN DESCRIPTION	Qty /Unit	price (RM)	NOTES
1	F20	95100G120001	喇叭	HORN	1	14.40	
2	F20	B01090601265	螺栓M6×12	BOLT M6×12	1	0.40	
3	F20	299063070000	整流器	RECTIFIER	1	42.90	
4	F20	B01090602065	螺栓M6×20	BOLT M6×20	2	0.40	
5	F20	96200H340000	高压包	IGNITION COIL	1	25.30	
6	F20	B13010602005	组合螺钉M6×20	SCREW W/WASHER M6×20	2	0.20	
7	F20	299052260010	点火器	IGNITOR	1	40.50	
8	F20	96007J040001	点火器套	IGNITER SET	1	2.20	
9	F20	94100T850000	启动继电器	STARTER RELAY	1	18.90	
10	F20	96400H390001	闪光器	FLASHER	1	103.10	
11	F20	AC-YTX7A-BS(HW)	蓄电池(YTX7A-BS)	BATTERY YTX7A-BS	1	126.00	
12	F20	88000J890102	套锁 (KEEWAY小鸟)	LOCK SETS,with KEEWAY mark	1	77.20	
13	F20	88107J890000	电源锁盖防尘圈	POWER LOCK COVER SHIELD	1	1.70	
14	F20	88100J890002	电源锁	POWER LOCK	1	63.50	
15	F20	88500T030000	护板锁	LOCK,GUARD BOARD	1	24.80	
16	F20	B02010601023	螺钉M6×10	SCREW M6×10	2	0.30	
17	F20	92000H390001	电缆总成	WIRE HARNESS	1	64.80	
18	F20	94118B910000	搭铁线护套	EARTH WIRE JACKET	1	0.90	
19	F20	91030T330000	后刹车开关	SWITCH,REAR BRAKE	1	3.50	
20	F20	290022260000	点火控制开关组件	IGNITION SWITCH COMP.	1	10.30	
21	F20	91210G550000	节气门点火控制开关	TPS COMP	1	25.50	
22	F20	96001J000000	绑带150mm	BAND 150mm	3	0.50	
23	F20	96001T750000	绑带150mm	BAND 150mm	1	0.30	
24	F20	96003J000000	绑带250mm	BAND 250mm	4	0.50	
25	F20	92950H380000	USB总成	USB ASSY.	1	35.20	
27	F20	65812H390000	蓄电池缓冲垫2,135×70×14	RUBBER MAT 135×70×14	1	9.00	
29	F20	96007B720001	点火器套	IGNITER SET	1	2.00	

F21 发动机附件 ENGINE ATTACHMENT



NO.	Position No.	CODE	CN DESCRIPTION	EN DESCRIPTION	Qty /Unit	price (RM)	NOTES
1	F21	08370U190000	变档杆组件 (黑色)	GEAR-SHIFT PEDAL LEVER ASSY	1	26.00	
2	F21	B01020602565	螺栓M6×25	BOLT M6×25	1	0.50	
3	F21	28300-SM-000		KICK STARTER	1	35.70	
5	F21	B0107060286H	螺栓M6×28	BOLT M6×28	2	0.60	
7	F21	169052140023	左后盖(钱江灰)	ENGINE LEFT REAR COVER,GREY	1	22.60	

F22 随车工具 TOOL KIT ASSY.



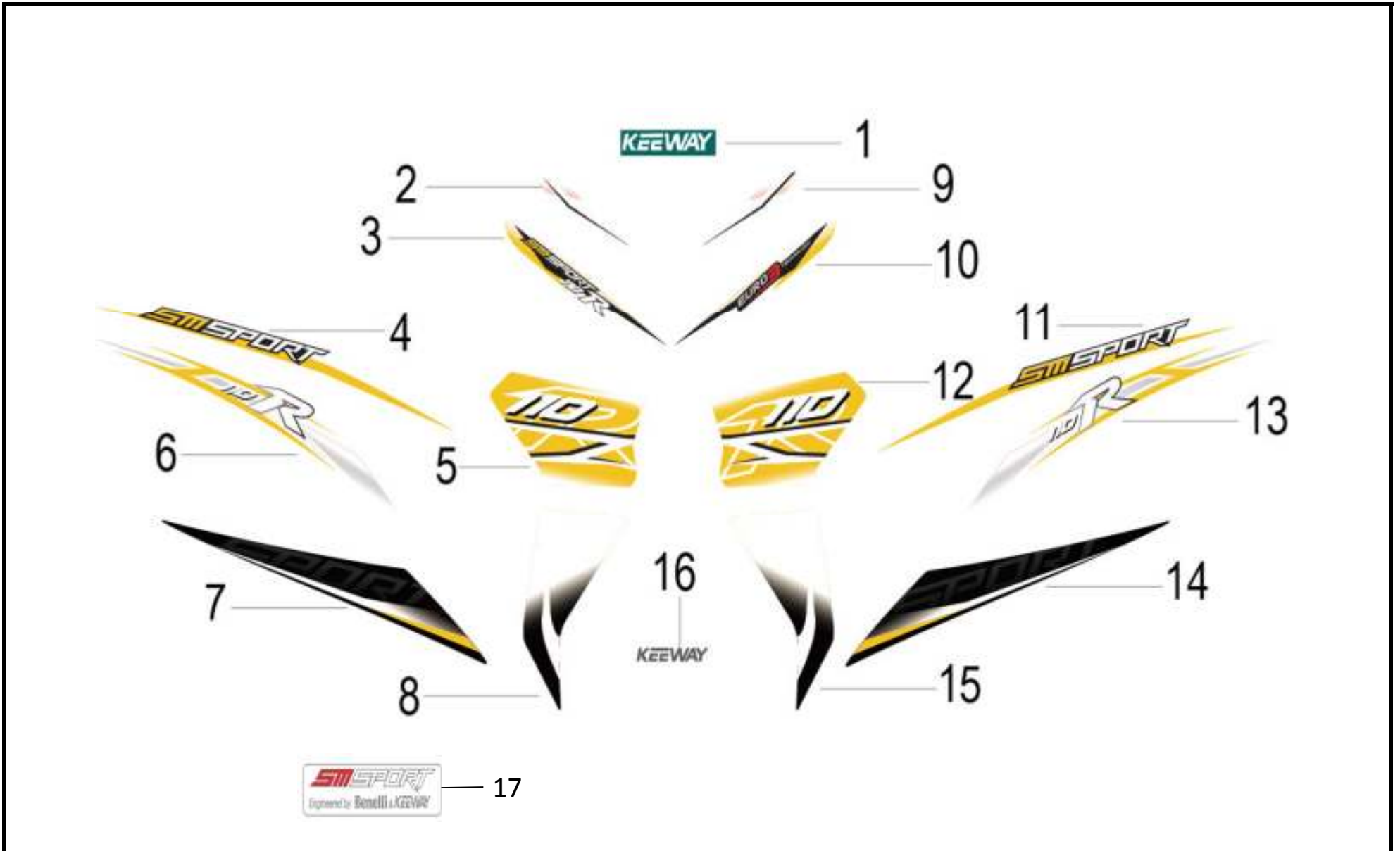
NO.	Position No.	CODE	CN DESCRIPTION	EN DESCRIPTION	Qty /Unit	price (RM)	NOTES
1	F22	02100G120001	随车工具	TOOL KIT ASSY	1	21.60	

F31 STICKER, FOR RED F9 VEHICLE



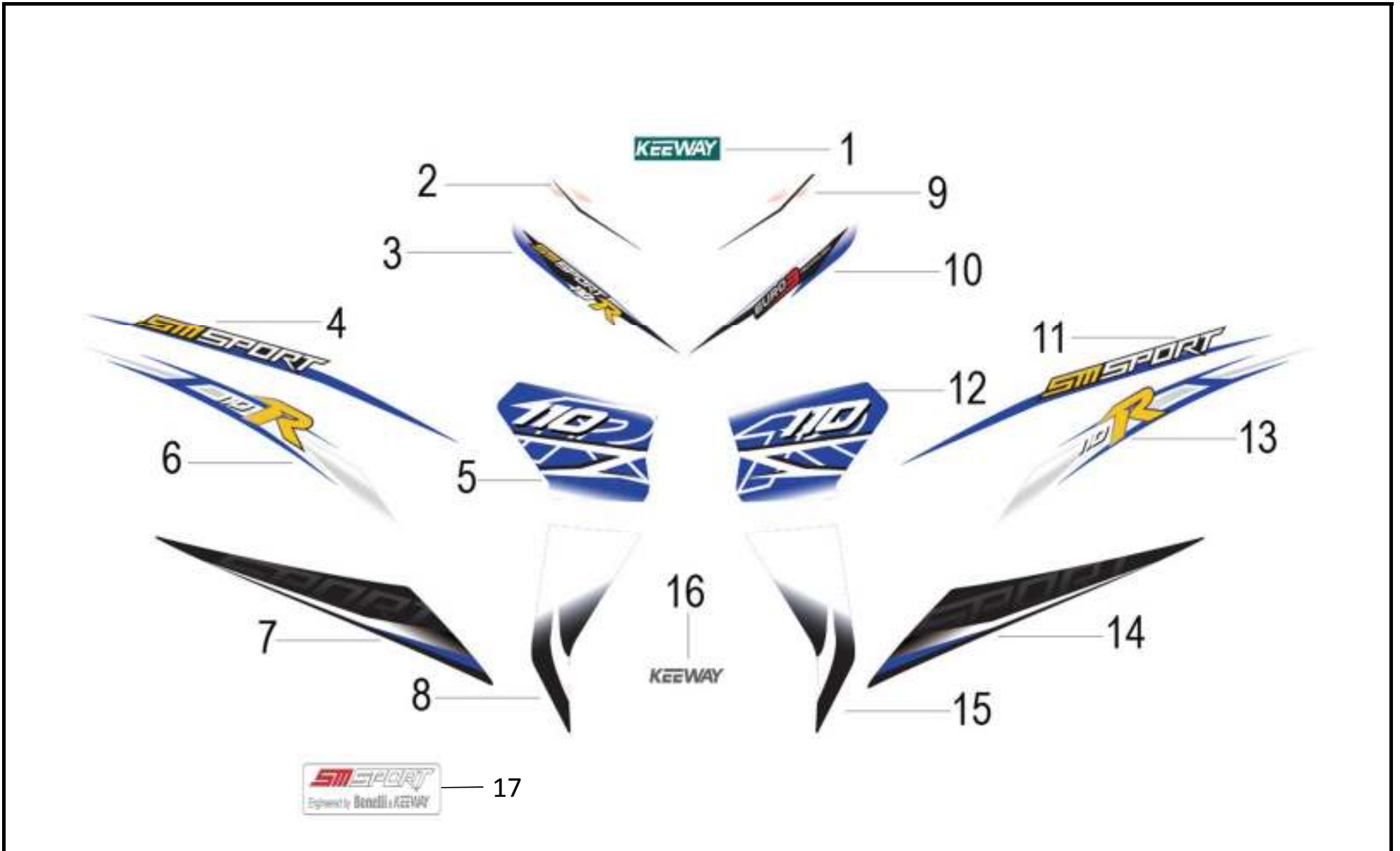
NO.	Position No.	CODE	CN DESCRIPTION	EN DESCRIPTION	Qty /Unit	price (RM)	NOTES
1	F31	05501H390005	龙头前护罩贴花	KEEWAY STICKER,HANDLE COVER	1	0.40	
2	F31	05524H39F905	前大罩面板右贴花II	RIHGT STICKER II,FRONT FACEPLATE	1	0.60	
3	F31	05522H39F905	前大罩面板右贴花	RIGHT STICKER,FRONT FACEPLATE	1	6.50	
4	F31	05512H39F905	右护板贴花	STICKER,RIGHT SIDE COVER	1	11.70	
5	F31	05543H39F905	右脚防护板上贴花	RIGHT UPPER STICKER	1	4.50	
6	F31	05516H39F905	右护板贴花II	STICKER II,RIGHT SIDE COVER	1	6.10	
7	F31	05514H39F905	右护条贴花	RIGHT STICKER	1	7.20	
8	F31	05544H39F905	右脚防护板下贴花	RIGHT UNDER STICKER	1	3.50	
9	F31	05523H39F905	前大罩面板左贴花II	LEFT STICKER II,FRONT FACEPLATE	1	6.10	
10	F31	05521H39F905	前大罩面板左贴花	LEFT STICKER,FRONT FACEPLATE	1	6.50	
11	F31	05511H39F905	左护板贴花	STICKER,LEFT SIDE COVER	1	11.70	
12	F31	05541H39F905	左脚防护板上贴花	LEFT UPPER STICKER	1	4.50	
13	F31	05515H39F905	左护板贴花II	STICKER II,LEFT SIDE COVER	1	6.10	
14	F31	05513H39F905	左护条贴花	LEFT STICKER	1	7.20	
15	F31	05542H39F905	左脚防护板下贴花	LEFT UNDER STICKER	1	3.50	
16	F31	05525H390005	左右联接板贴花	KEEWAY STICKER,LH&RH CONNECTING BOARD	1	0.60	
17	F31	8700T-SM-0001		SM SPORT LABEL	1	3.30	

F32 STICKER, FOR YELLOW YP VEHICLE



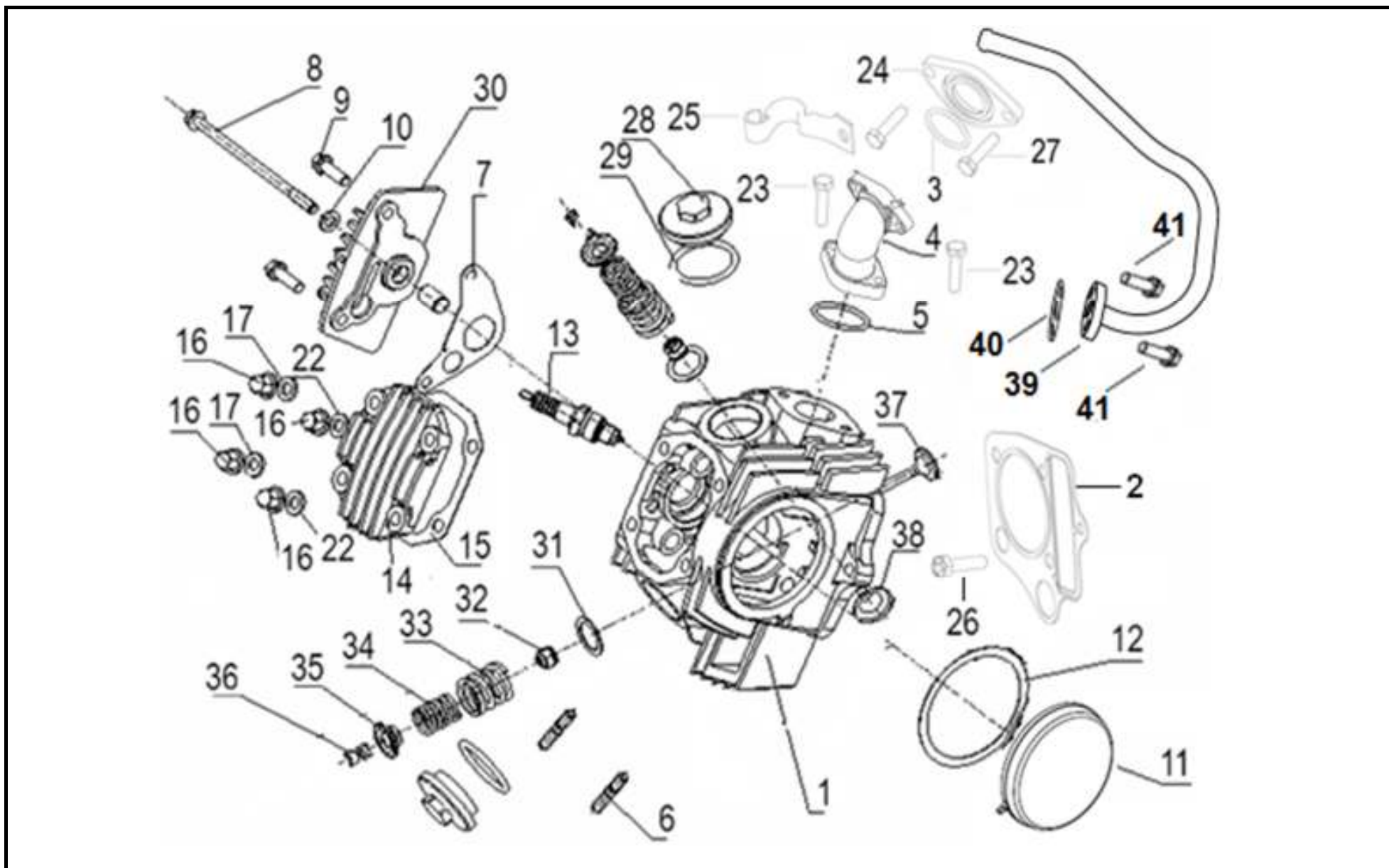
NO.	Position No.	CODE	CN DESCRIPTION	EN DESCRIPTION	Qty /Unit	price (RM)	NOTES
1	F32	05501H390005	龙头前护罩贴花	KEEWAY STICKER,HANDLE COVER	1	0.40	
2	F32	05524H39YP05	前大罩面板右贴花II	RIHGT STICKER II,FRONT FACEPLATE	1	6.10	
3	F32	05522H39YP05	前大罩面板右贴花	RIGHT STICKER,FRONT FACEPLATE	1	6.50	
4	F32	05512H39YP05	右护板贴花	STICKER,RIGHT SIDE COVER	1	11.70	
5	F32	05543H39YP05	右脚防护板上贴花	RIGHT UPPER STICKER	1	4.50	
6	F32	05516H39YP05	右护板贴花II	STICKER II,RIGHT SIDE COVER	1	6.10	
7	F32	05514H39YP05	右护条贴花	RIGHT STICKER	1	7.20	
8	F32	05544H39YP05	右脚防护板下贴花	RIGHT UNDER STICKER	1	3.50	
9	F32	05523H39YP05	前大罩面板左贴花II	LEFT STICKER II,FRONT FACEPLATE	1	6.10	
10	F32	05521H39YP05	前大罩面板左贴花	LEFT STICKER,FRONT FACEPLATE	1	6.50	
11	F32	05511H39YP05	左护板贴花	STICKER,LEFT SIDE COVER	1	11.70	
12	F32	05541H39YP05	左脚防护板上贴花	LEFT UPPER STICKER	1	4.50	
13	F32	05515H39YP05	左护板贴花II	STICKER II,LEFT SIDE COVER	1	6.10	
14	F32	05513H39YP05	左护条贴花	LEFT STICKER	1	7.20	
15	F32	05542H39YP05	左脚防护板下贴花	LEFT UNDER STICKER	1	3.50	
16	F32	05525H390005	左右联接板贴花	KEEWAY STICKER,LH&RH CONNECTING BOARD	1	0.60	
17	F31	8700T-SM-0001		SM SPORT LABEL	1	3.30	

F33 STICKER, FOR BLUE E4 VEHICLE



NO.	Position No.	CODE	CN DESCRIPTION	EN DESCRIPTION	Qty /Unit	price (RM)	NOTES
1	F33	05501H390005	龙头前护罩贴花	KEEWAY STICKER,HANDLE COVER	1	0.40	
2	F33	05524H39E405	前大罩面板右贴花II	RIHGT STICKER II,FRONT FACEPLATE	1	6.10	
3	F33	05522H39E405	前大罩面板右贴花	RIGHT STICKER,FRONT FACEPLATE	1	6.50	
4	F33	05512H39E405	右护板贴花	STICKER,RIGHT SIDE COVER	1	11.70	
5	F33	05543H39E405	右脚防护板上贴花	RIGHT UPPER STICKER	1	4.50	
6	F33	05516H39E405	右护板贴花II	STICKER II,RIGHT SIDE COVER	1	6.10	
7	F33	05514H39E405	右护条贴花	RIGHT STICKER	1	7.20	
8	F33	05544H39E405	右脚防护板下贴花	RIGHT UNDER STICKER	1	3.50	
9	F33	05523H39E405	前大罩面板左贴花II	LEFT STICKER II,FRONT FACEPLATE	1	6.10	
10	F33	05521H39E405	前大罩面板左贴花	LEFT STICKER,FRONT FACEPLATE	1	6.50	
11	F33	05511H39E405	左护板贴花	STICKER,LEFT SIDE COVER	1	11.70	
12	F33	05541H39E405	左脚防护板上贴花	LEFT UPPER STICKER	1	4.50	
13	F33	05515H39E405	左护板贴花II	STICKER II,LEFT SIDE COVER	1	6.10	
14	F33	05513H39E405	左护条贴花	LEFT STICKER	1	7.20	
15	F33	05542H39E405	左脚防护板下贴花	LEFT UNDER STICKER	1	3.50	
16	F33	05525H390005	左右联接板贴花	KEEWAY STICKER,LH&RH CONNECTING BOARD	1	0.60	
17	F31	8700T-SM-0001		SM SPORT LABEL	1	3.30	

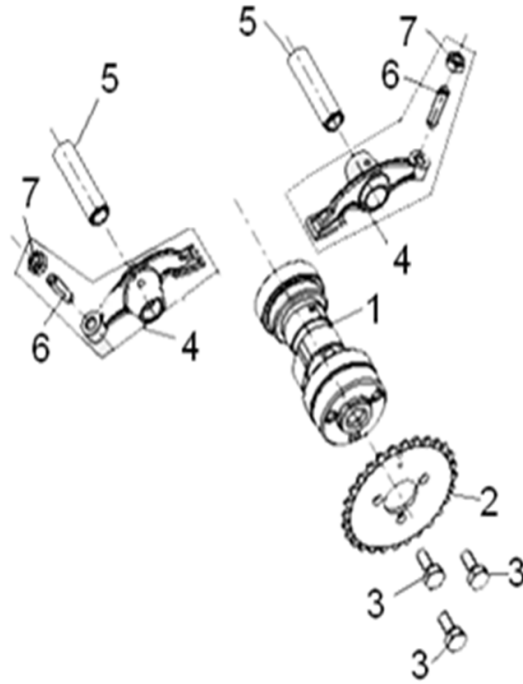
E01 气缸盖分总成 CYLINDER HEAD ASSY



NO.	Position No.	CODE	CN Description	EN DESCRIPTION	Qty /Unit	price (RM)	NOTES
1	E01-1	109053010082	气缸盖组件(钱江灰) 二次进气	CYLINDER HEAD COM,GREY,WITH SECONDARY AIR INTAKE SYSTEM	1	183.30	
1	E01-1	109053010122	气缸盖组件(钱江灰) 二次进气	CYLINDER HEAD COM,GREY,WITH SECONDARY AIR INTAKE SYSTEM		183.30	Start Vin PRSKQJ11AHA013168
2	E01-2	109073010020	缸盖密封垫	GASKET	1	10.10	
3	E01-3	110012140010	O形圈25×2.4(氟橡胶)	O RING25×2.4	1	0.40	
4	E01-4	119013010040	进气管(钱江灰)	PIPE,INTAKE,GREY	1	17.00	
5	E01-5	120202140000	O型密封圈27.4×2.4	O RING27.4×2.4	1	2.00	
6	E01-6	12007305001X	排气口双头螺柱(彩锌)	STUD,YELLOW	2	0.60	
7	E01-7	100022140030	气缸头右盖密封垫(无石棉)	WASHER, R-HEAD,without asbestos	1	0.90	
8	E01-8	100023050010	螺栓M6×110(军绿)	BOLT M6×110,GREEN	1	1.60	
9	E01-9	B01070602565	螺栓M6×25	BOLT M6×25	2	0.40	
10	E01-10	210382140010	垫圈φ6.5	WASHER φ6.5	1	0.20	
11	E01-11	100023010060	气缸头左盖(钱江灰)	L-HEAD, GREY	1	10.10	
12	E01-12	100033010040	气缸头左盖密封垫(无石棉)	WASHER, L-HEAD,without asbestos	1	0.90	
13	E01-13	299073050020	火花塞	SPARK PLUG	1	11.80	
14	E01-14	109062140080	气缸头盖(钱江灰)	CYLINDER HEAD, GREY	1	9.10	
15	E01-15	100072140030	缸头盖密封垫(无石棉)	WASHER,without asbestos	1	0.90	
16	E01-16	120182140000	盖形螺母	CAP NUT	4	1.30	
17	E01-17	21039214001X	垫圈φ7	WASHER φ7	2	0.70	
22	E01-22	21039214002X	垫圈φ7	WASHER φ7	2	0.20	
23	E01-23	B01070602563	螺栓M6×25	BOLT M6×25	2	0.90	
24	E01-24	110022140000	化油器绝热体	SEPERATOR PLATE	1	1.10	
25	E01-25	120192140010	汽油管夹(达克罗)	CLIP	1	1.30	
25A	E01-25	120192140050	汽油管夹(达克罗)	CLIP	1		Start Vin PRSKQJ11AHA013168
26	E01-26	B01130602665	螺栓M6×26	BOLT M6×26	1	0.30	
27	E01-27	B01070603065	螺栓M6×30	BOLT M6×30	2	0.70	
NO.	Position No.	CODE	CN Description	EN DESCRIPTION	Qty /Unit	price (RM)	NOTES

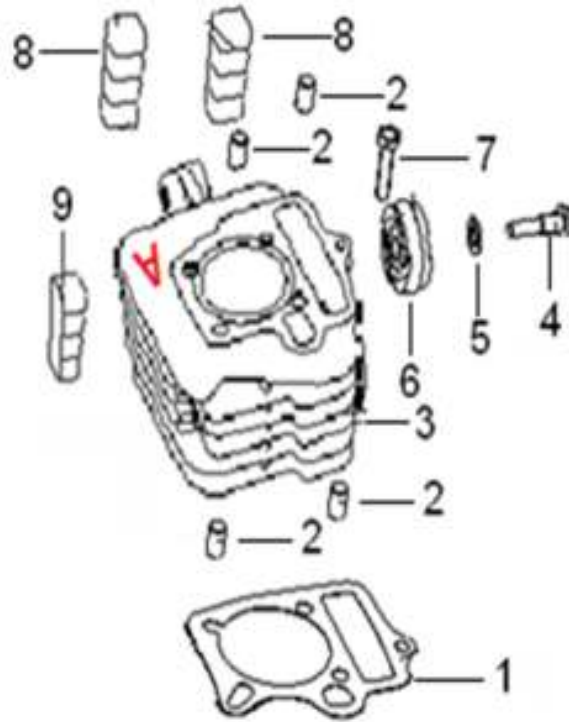
28	E01-28	120012140020	气门盖(钱江灰)	VAVLE HEAD,GREY	2	2.60
29	E01-29	160023050010	O型橡胶圈30.8×3.2(氟橡胶)	O RING30.8×3.2	2	13.00
30	E01-30	100013010050	气缸头右盖(钱江灰)	R-HEAD, GREY	1	7.30
31	E01-31	120023050010	气门外弹簧垫圈	RETAINER,VALVE SPRING	2	0.30
32	E01-32	120013050000	气门油封组合	OIL SEAL, VALVE	2	2.60
33	E01-33	129263050000	气门外弹簧	SPRING, VALVE OUTER	2	2.80
34	E01-34	129253050000	气门内弹簧	SPRING, VALVE INNER	2	1.60
35	E01-35	129213060000	气门弹簧上座	SEAT, VALVE SPRING	2	2.30
36	E01-36	129223230000	气门锁夹	COTTER, VALVE	4	2.20
37	E01-37	129182140010	进气门	VALVE, INTAKE	1	9.40
38	E01-38	129192140030	排气门	VALVE, EXHAUST	1	14.40
39	E01-39	119083010020	气缸体连接弯管组件	PIPE	1	11.00
40	E01-40	119092140020	气缸盖连接弯管垫片	GASKET	1	3.90
41	E01-41	B01070602563	螺栓M6×25	BOLT M6×25	2	0.90

E02 配气机构分总成 INTAKE&EXHAUST MECHANISM



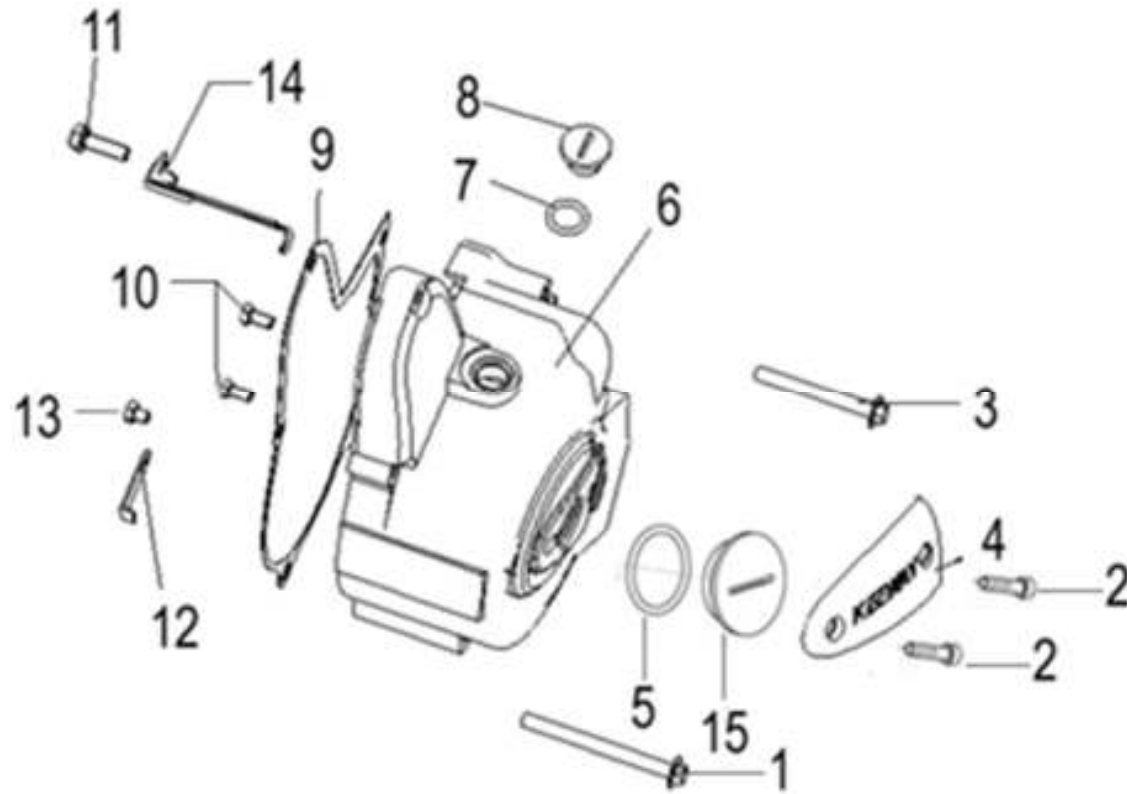
NO.	Position No.	CODE	CN Description	EN DESCRIPTION	Qty /Unit	price (RM)	NOTES
1	E02-1	129092140051	凸轮轴组件(进口轴承)	CAMSHAFT ASSY	1	50.70	
1A	E02-1	129092140041	凸轮轴组件(带减压阀TPI轴承)	CAMSHAFT ASSY			Start Vin PRSKQJ11AHA013168
2	E02-2	129033010001	正时从动链轮(32齿)	SPROCKET, CAMSHAFT	1	4.30	
3	E02-3	B01030501263	螺栓M5×12	BOLT M5×12	3	0.40	
4	E02-4	129132140000	气门摇臂组件(含螺钉,螺母)	ASSY, VALVE ROCKER	2	14.70	
5	E02-5	120022140000	气门摇臂轴	SHAFT, VALVE ROCKER	2	1.70	
6	E02-6	120023050000	挺杆调整螺钉	TAPPET ADJUSTMENT SCREW	2	0.90	
7	E02-7	120073050000	调整螺丝固定螺母	NUT ADJUSTMENT SCREWS	2	0.30	
8	E02-8	100023600000	止动板组件	LIMITTE PLATE	1		Start Vin PRSKQJ11AHA013168

E03 气缸体分总成 CYLINDER ASSY



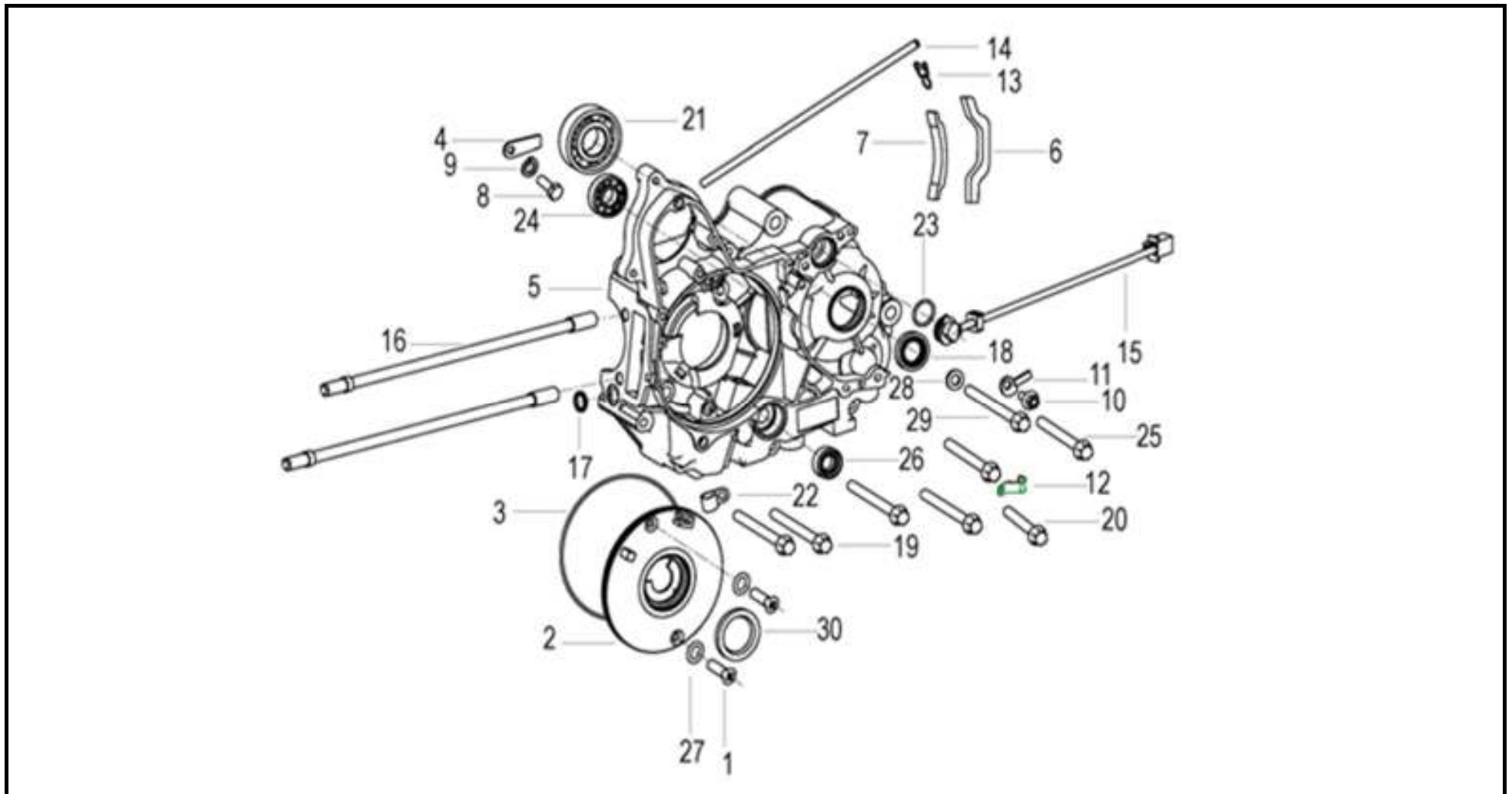
NO.	Position No.	CODE	CN Description	EN DESCRIPTION	Qty /Unit	price (RM)	NOTES
1	E03-1	139022140040	气缸体密封垫（无石棉印胶）	GASKET, CYLINDER,without asbestos	1	4.00	
2	E03-2	150022140000	定位销8×12	PIN 8×12	4	0.30	
3	E03-3	139013010080	新气缸体组件(钱江灰)二次进气	CYLINDER, GREY,with secondary air intake valve	1	141.70	
4	E03-4	13003301003X	滚轮销轴(镀黑锌)	SHAFT, CHAIN GUIDE,black	1	3.00	
5	E03-5	200012140000	垫片Φ8	WASHERΦ8	1	0.20	
6	E03-6	130023010001	链条导向滚轮组件	CHAIN GUIDE COMP	1	3.50	
7	E03-7	B01130602865	螺栓M6×28	BOLT M6×28	1	0.40	
8	E03-8	130053010000	减震块(II)	DAMPING BLOCK II	2	1.10	
9	E03-9	130043010002	减震块(I)	DAMPING BLOCK I	1	1.40	

E04 曲轴箱左前盖分总成 MAGNETO COVER



NO.	Position No.	CODE	CN Description	EN DESCRIPTION	Qty /Unit	price (RM)	NOTES
1	E04-1	B01070607065	螺栓M6×70	BOLT M6×70	1	1.00	
2	E04-2	B02180601065	内六角螺钉M6×10	SCREW M6×10	1	0.40	
3	E04-3	B01070606065	螺栓M6X60	BOLT M6X60	1	0.80	
4	E04-4	160122140060	装饰小盖（KEEWY字样）	PLUG, COVER MAGNETO,mark:KEEWAY	1	6.10	
5	E04-5	120202140000	O型圈27.4×2.4	O RING27.4×2.4	1	2.00	
6	E04-6	169022140027	左前盖（钱江灰）	COVER, MAGNETO, GREY	1	75.90	
7	E04-7	B190101380C0	O型圈13.8×2.5(氟橡胶)	O RING13.8×2.5	1	0.40	
8	E04-8	160053070030	螺塞（钱江灰）	PLUG, SEE,GREY	1	3.50	
9	E04-9	160142140020	垫片(无石棉)	GASKET, COVER MAGNETO,without asbestos	1	6.20	
10	E04-10	B01070501063	螺栓M5X10	BOLT M5X10	2	0.30	
11	E04-11	B01070601663	螺钉M6×16	SCREW M6×16	1	0.20	
12	E04-12	160013010000	压板	CLIP	1	0.20	
13	E04-13	B02040500623	螺钉M5×6	SCREW M5×6	1	0.30	
14	E04-14	16001301001X	压线夹(镀彩锌)	CLIP,YELLOW	1	1.00	
15	E04-15	16003307002X	磁电机螺塞	PLUG,COVERE MAGNETO	1	5.00	

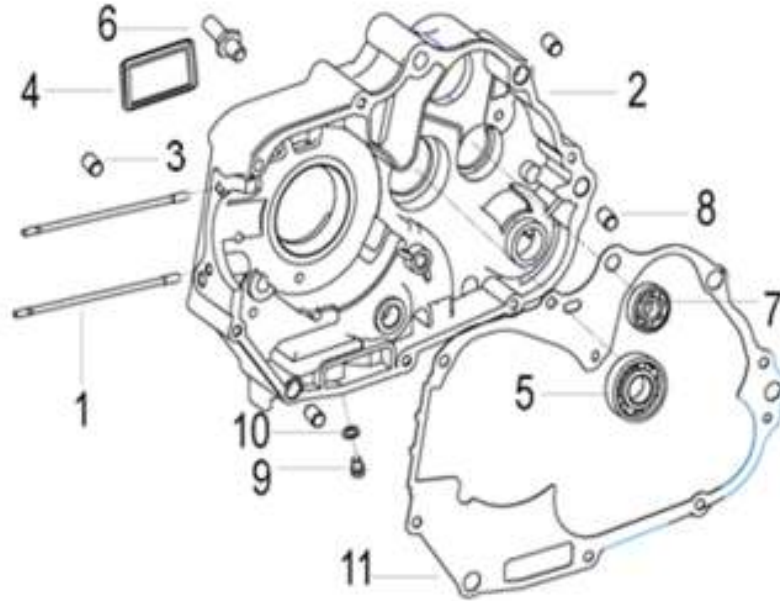
E05 左曲轴箱分总成 LEFT CRANKCASE ASSY



NO.	Position No.	CODE	CN Description	EN DESCRIPTION	Qty /Unit	price (RM)	NOTES
1	E05-1	B02010601623	螺钉M6x16	BOLT M6x16	2	0.40	
2	E05-2	150032140000	小左盖	DISK, OIL SEPARATOR	1	15.50	
3	E05-3	150042140010	O型密封圈(氟橡胶)	O RING	1	10.00	

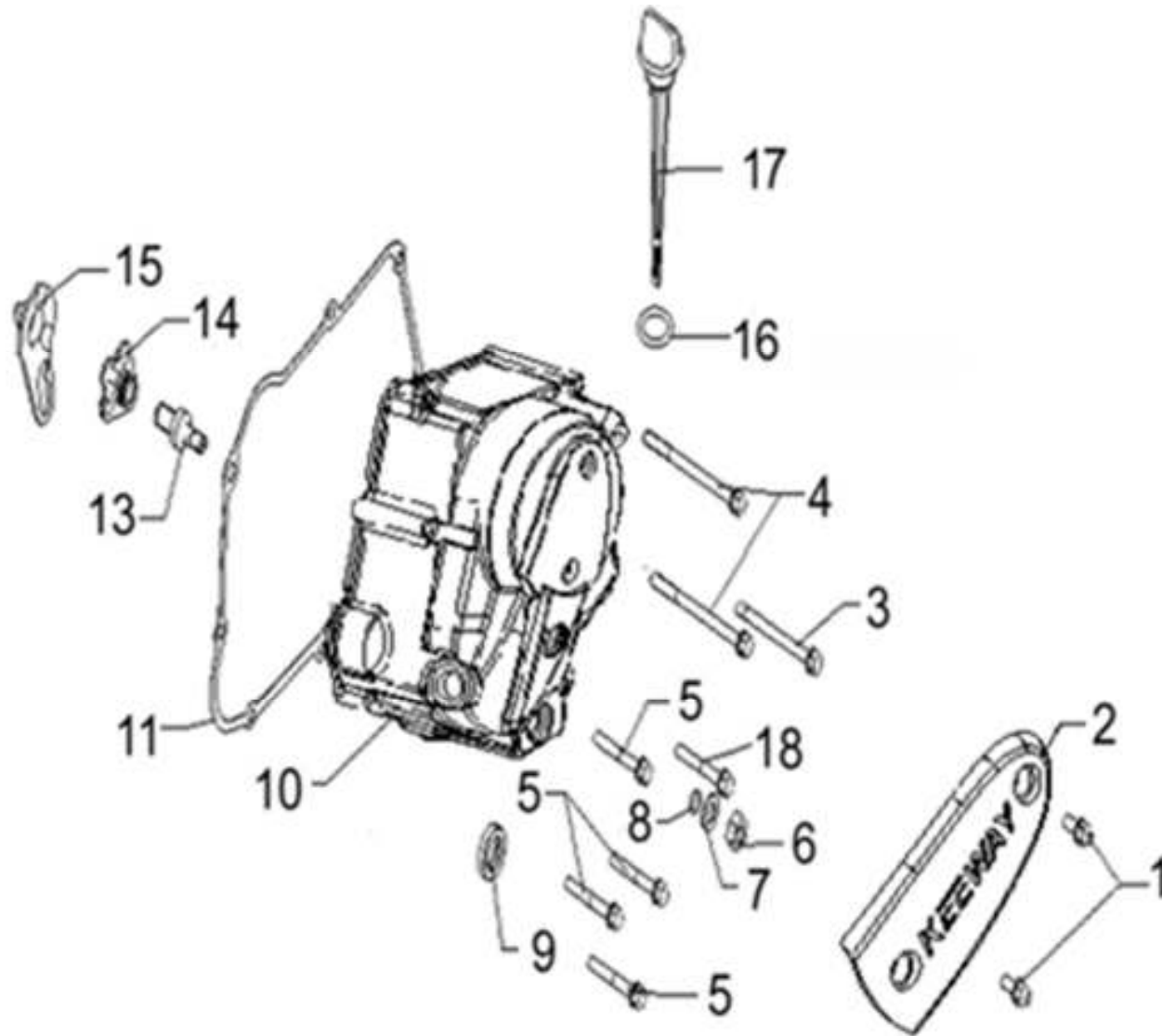
NO.	Position No.	CODE	CN Description	EN DESCRIPTION	Qty /Unit	price (RM)	NOTES
4	E05-4	15005214001X	链轮压板	STOPPER	1	0.30	
5	E05-5	159023010070	左曲轴箱组件（钱江灰）	CRANKCASE, LH, GREY	1	177.90	
6	E05-6	150142140000	导链板A	GUIDE A, STARTING CHAIN	1	3.30	
7	E05-7	150152140000	导链板B	GUIDE B, STARTING CHAIN	1	2.60	
8	E05-8	B01030601663	螺栓M6x16	BOLT M6x16	1	0.30	
9	E05-9	B07000000601	弹簧垫圈6	WASHER 6	1	0.20	
10	E05-10	B01070601263	螺钉M6x12	BOLT	1	0.40	
11	E05-11	15006214001X	档位显示器压板（彩锌）	STOPPER, YELLOW	1	0.20	
12	E05-12	15008214001X	线夹（彩锌）	CLAMP, YELLOW	1	0.20	
13	E05-13	11002214001X	卡箍	CLAMP	1	0.30	
14	E05-14	159092140005	通气胶管	HOSE BREATHER	1	5.60	
15	E05-15	150162140000	换挡开关组件	SHIFT TANSDUCER	1	7.60	
16	E05-16	159113010010	双头螺柱(B)	STUD BOLT	2	4.30	
17	E05-17	150082140020	矩形密封圈(氟橡胶)	GASKET	1	1.10	
18	E05-18	150172140010	密封圈17x29x5(氟橡胶)	OIL SEAL	1	6.00	
19	E05-19	B01070606565	螺栓M6x65	BOLT M6x65	4	1.10	
20	E05-20	B01070605065	螺栓M6x50	BOLT M6x50	1	1.30	
21	E05-21	B12016020313	轴承6203 /P6(进口)	BEARING 6203/P6	1	60.80	
22	E05-22	15010214001X	溢流管夹	CLAMP	1	0.90	
23	E05-23	210012150010	O形圈φ14X1.6(氟橡胶)	O-RING φ 14×1.6	1	3.60	
24	E05-24	B12016000110	轴承6001Z（进口）	BEARING 6001Z	1	60.80	
25	E05-25	B01070606065	螺栓M6x60	BOLT	2	0.80	
26	E05-26	210014050020	密封圈11.6x24x10(氟橡胶)	OIL SEAL 11.6x24x10	1	0.40	
27	E05-27	160223070010	O型圈6.8X1.9(氟橡胶)	O RING 6.8X1.9	2	0.20	
28	E05-28	210382140010	垫片φ6.5(铝)	WASHER φ6.5	1	0.20	
29	E05-29	B01070607065	螺栓M6x70	BOLT M6x70	1	1.00	
30	E05-30	150182140020	密封圈30x42x4.5(氟橡胶)	OIL SEAL 30x42x4.5	1	9.40	

E06 右曲轴箱分总成 RIGHT CRANKCASE ASSY



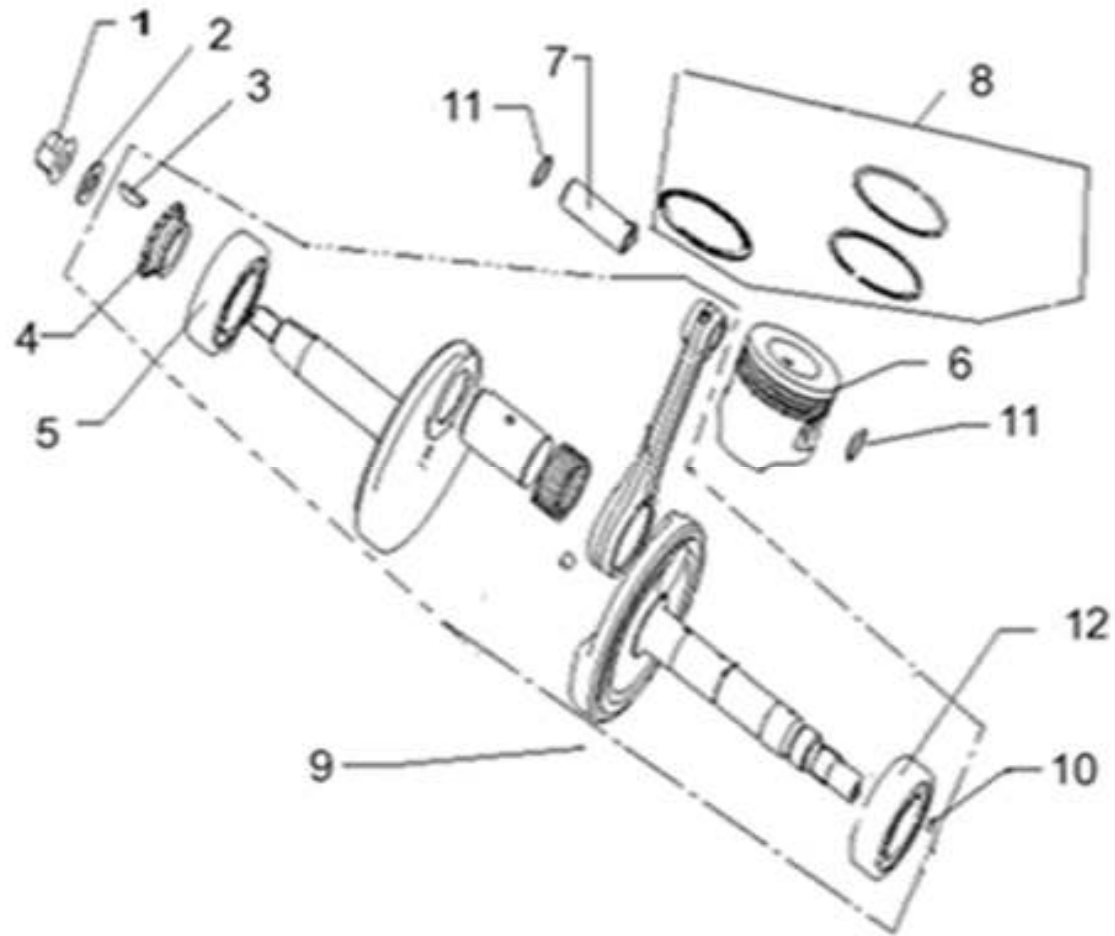
NO.	Position No.	CODE	CN Description	EN DESCRIPTION	Qty /Unit	price (RM)	NOTES
1	E06-1	159103010010	双头螺柱(A)	STUD BOLT,CYLINDERA	2	4.30	
2	E06-2	159033010070	右曲轴箱组件 (钱江灰)	CRANKCASE,RIGHT, GREY	1	118.80	
3	E06-3	150083070000	右盖定位销	DOWER PIN	2	0.40	
4	E06-4	150242140000	滤网组件	OIL SET	1	1.50	
5	E06-5	B12016020313	轴承6203/P6(进口)	BEARING 6203/P6	1	60.80	
6	E06-6	21010405002X	限位挡钉	SCREW	1	1.10	
7	E06-7	B12016020111	轴承6201/P6(进口)	BEARING 6201/P6	1	60.80	
8	E06-8	150083070000	合箱定位销	DOWER PIN	2	0.40	
9	E06-9	15003214001X	放油螺塞	PLUG,DRAIN,CHROMEPLATE	1	2.20	
10	E06-10	210382140030	放油螺塞垫圈	WASHER	1	0.20	
11	E06-11	159013010040	曲轴箱垫片(无石棉)	GASKET,CRANKCASE,without asbestos	1	13.20	

E07右盖分总成 CLUTCH COVER ASSY



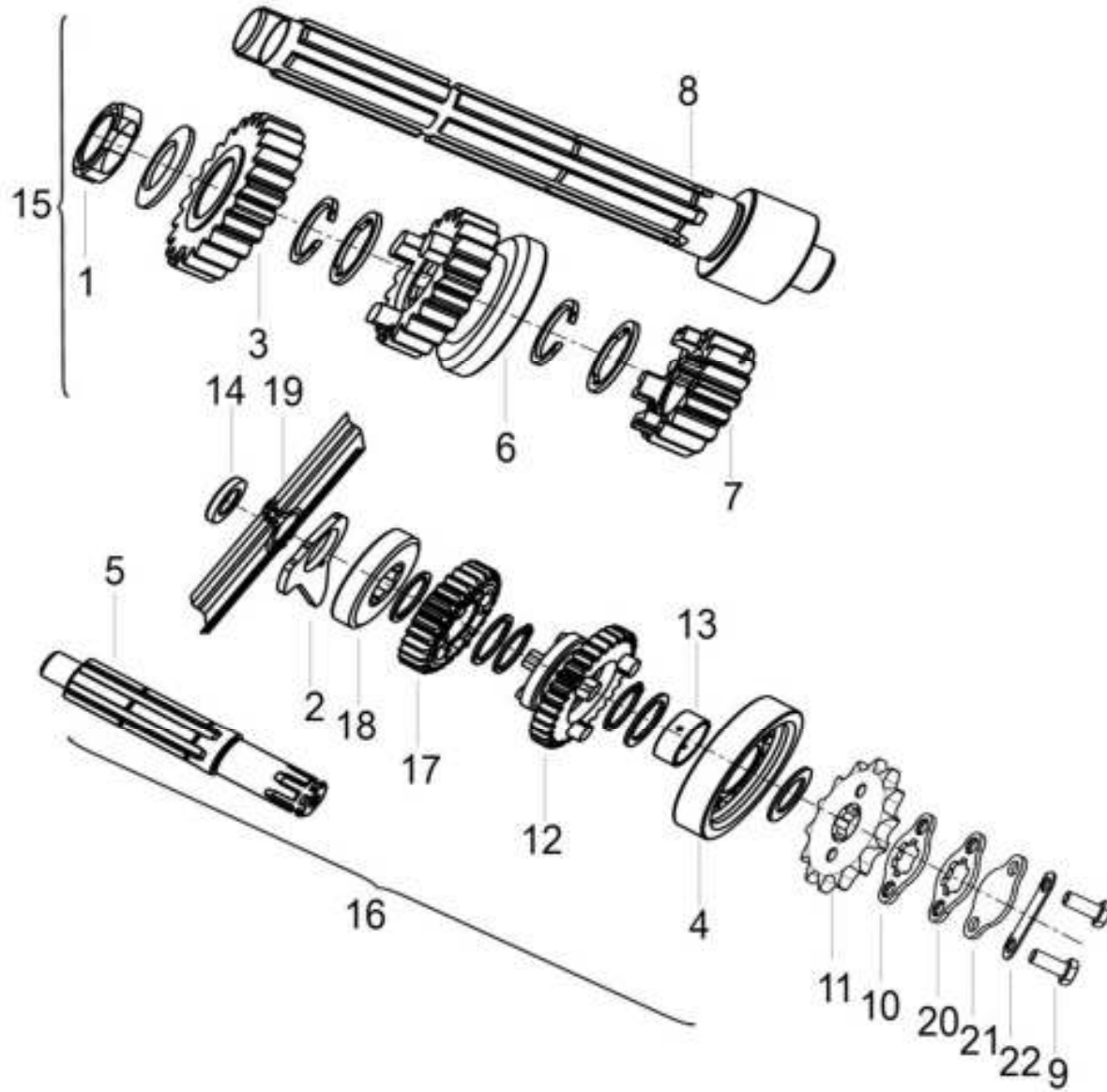
NO.	Position No.	CODE	CN Description	EN DESCRIPTION	Qty /Unit	price (RM)	NOTES
1	E07-1	B02180601065	内六角螺钉M6×10	BOLT M6×10	2	0.40	
2	E07-2	05517K-SM-000		ENGINE COVER	1	8.00	
3	E07-3	B01070606565	螺栓M6×65	BOLT M6×65	1	1.10	
4	E07-4	B01070608065	螺栓M6×80	BOLT M6×80	2	1.00	
5	E07-5	B01070604065	螺栓M6X40	BOLT M6X40	4	0.60	
6	E07-6	B04000800055	螺母M8	NUT M8	1	0.40	
7	E07-7	24004208002X	垫圈8(镀铬)	WASHER 8,CHROMEPLATE	1	0.30	
8	E07-8	160223070010	O型圈6.8×1.9(氟橡胶)	O RING 6.8×1.9	1	0.20	
9	E07-9	160022140030	油封13.7×24×5(氟橡胶)	OIL SEAL 13.7×24×5	1	10.10	
10	E07-10	169103010053	曲轴箱右盖(钱江灰)	COVER, RIGHT,GREY	1	117.00	
11	E07-11	150013010040	右曲轴箱垫片(无石棉)	GASKET, COVER LH,without asbestos	1	11.40	
13	E07-13	160072160010	调整螺钉	ADJUSTING BOLT	1	2.00	
13	E07-13	200543600000	调整螺钉	ADJUSTING BOLT	1		start Vin PRSKQJ11AHA014860
14	E07-14	200023010000	离合器分离球组件	CLUTCH LIFT ROD ASSY	1	15.00	
14A	E07-14A	200023010010	离合器分离球组件	CLUTCH LIFT ROD ASSY	1		start Vin PRSKQJ11AHA014860
15	E07-15	20906216001X	离合器推杆组件	ROD,CLUTCH CABLE	1	7.60	
15	E07-15	200553600000	离合器推杆	ROD,CLUTCH CABLE	1		start Vin PRSKQJ11AHA014860
16	E07-16	160063070010	O型圈18×3.5(氟橡胶)	O RING 18×3.5	1	0.40	
17	E07-17	16918307001X	量油尺	GAUGE, OIL LEVEL	1	3.60	
18	E07-18	B01070604065	螺栓 M6×40	BOLT M6×40	1	0.60	

E08 曲轴活塞连杆分总成 CRANKSHAFT ROD & PISTON ASSY



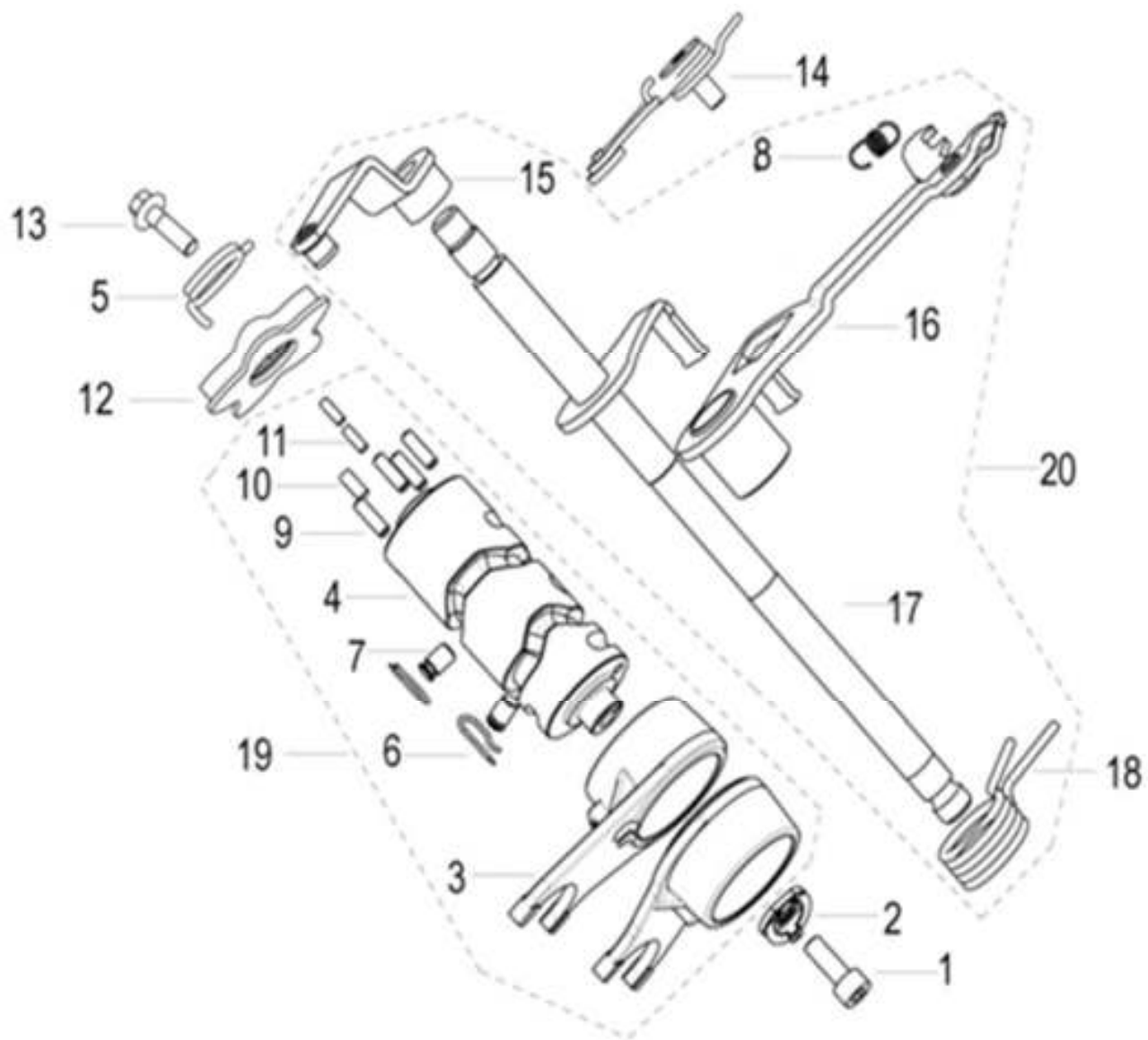
NO.	Position No.	CODE	CN Description	EN DESCRIPTION	Qty /Unit	price (RM)	NOTES
1	E08-1	260092140100	六角法兰面螺母	NUT	1	1.60	
2	E08-2	170062260000	垫片	WASHER	1	0.90	
3	E08-3	260093070000	半圆键	KEY	1	0.50	
4	E08-4	219303010010	链轮(16齿)	CHAIN WHEEL	1	11.40	
5	E08-5	B12016030408	轴承6304/P5C3(进口)	ROLLING BEARING6304/P5C3	1	60.80	
6	E08-6	179133010030	活塞	PISTON	1	29.00	
7	E08-7	179142140000	活塞销	PIN,PISTON	1	5.60	
8	E08-8	179152260010	活塞环组件	PISTON RING ASSY	1	27.60	
9	E08-9	179013010100	曲轴连杆组合	CRANKSHAFT ASSY	1	199.20	
10	E08-10	B090103005C0	销C3×5	PINC3×5	1	0.20	
11	E08-11	179154050000	挡圈	CLIP	2	0.20	
12	E08-12	B12016030406	轴承6304/P5C5(进口)	ROLLING BEARING6304/P5C5	1	60.80	

E09 主副轴组合 COUNTER & DRIVE SHAFT ASSY



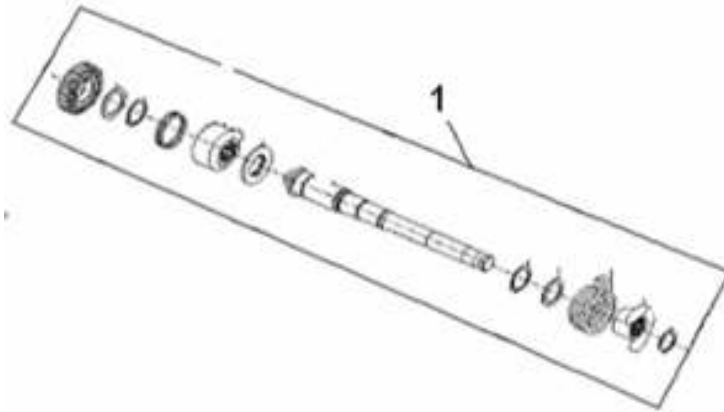
NO.	Position No.	CODE	CN Description	EN DESCRIPTION	Qty /Unit	price (RM)	NOTES
1	E09-1	210162160000	圆螺母	NUT	1	1.10	
2	E09-2	210132160000	安全顶板	PLATE,SHIFT CAM	1		sub part of 219213600010
3	E09-3	219182160010	主轴四档齿轮	GEAR,4TH DIRVE	1		sub part of 219133010010
4	E09-4	219232160010	副轴一档齿轮	GEAR,1ST DRIVE	1		sub part of 219213600010
5	E09-5	219222160000	传动副轴116.5mm	SHAFT,DRIVE 116.5mm	1		sub part of 219213600010
6	E09-6	219172140000	主轴三档齿轮	GEAR,3RD DRIVE	1		sub part of 219133010010
7	E09-7	219162140000	主轴二档齿轮	GEAR,2ND DRIVE	1		sub part of 219133010010
8	E09-8	219142160010	传动主轴	SHAFT,COUNTER	1		sub part of 219133010010
9	E09-9	B01030601463	螺栓M6×14	BOLT M6×14	2	0.20	
10	E09-10	21012214001X	主动链轮固定板	WASHER,LOCK	1	0.40	
11	E09-11	219302260000	主动链轮	DRIVE SPROCKET	1	9.20	
12	E09-12	219242140000	副轴二档齿轮	GEAR,2ND DRIVEN	1		sub part of 219213600010
13	E09-13	210202160000	齿轮轴套	SLEEVE	1		sub part of 219213600010
14	E09-14	210142160000	顶板轴套	SLEEVE	1		sub part of 219213600010
15	E09-15	219133010010	主轴组合	COUNTER SHAFT ASSY	1	55.80	
16	E09-16	219213600010	副轴组合	DRIVER SHAFT ASSY	1	69.40	
17	E09-17	219252140000	副轴三档齿轮	GEAR,3RD DRIVEN	1		sub part of 219213600010
18	E09-18	219262160010	副轴四档齿轮	GEAR,4TH DRIVEN	1		sub part of 219213600010
19	E09-19	270062160010	卡夹	SPRING	1		sub part of 219213600010
20	E09-20	210282140000	链轮盖板	PLATE,DRIVE SPROCKET FIXING	1	0.80	
21	E09-21	210292140000	副轴盖板	CAP , OIL PUMP	1	0.80	
22	E09-22	210302140000	防松垫片	GASKET	1	0.40	

E10 变速机构 GEAR SHIFT ASSY



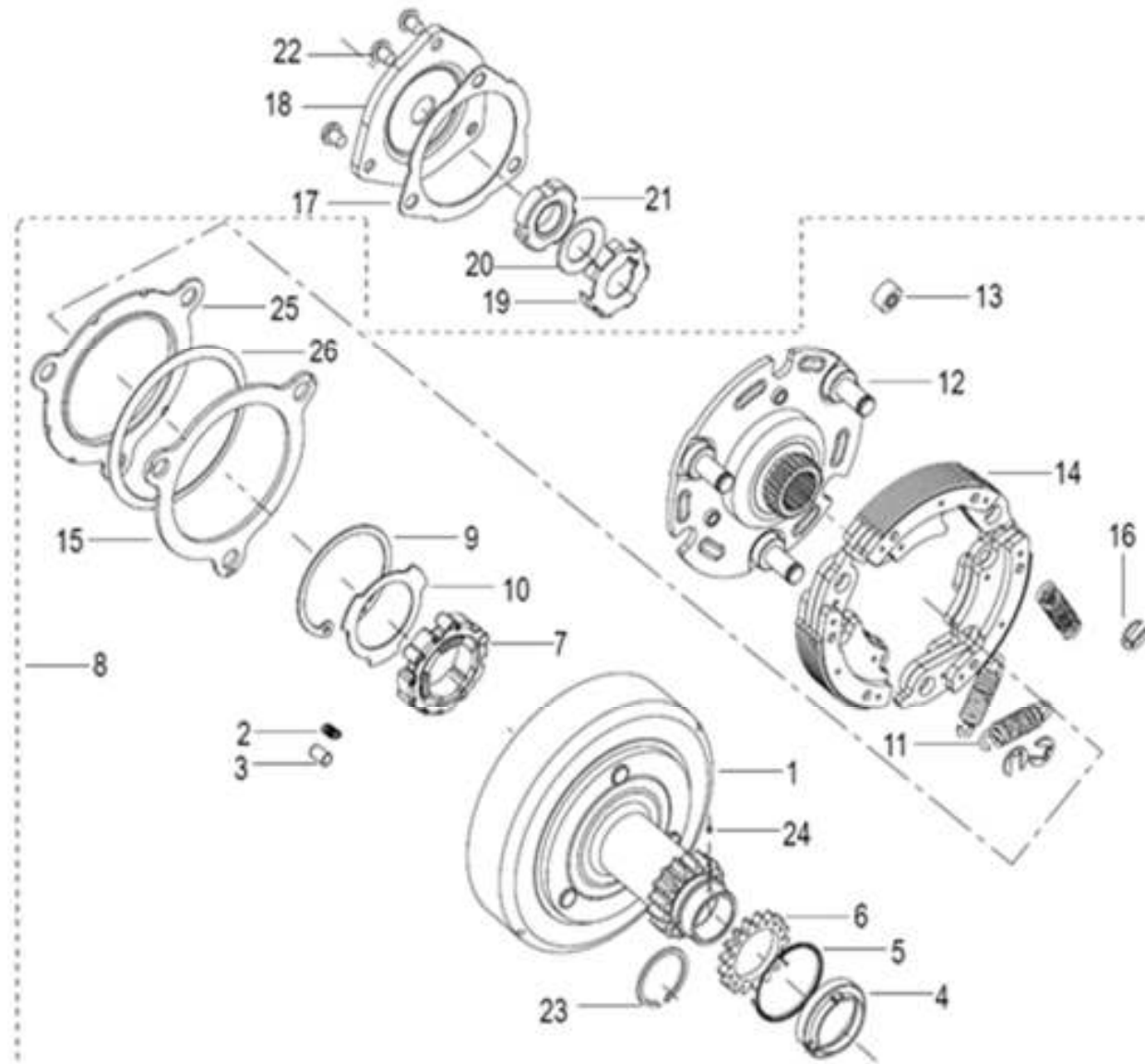
NO.	Position No.	CODE	CN Description	EN DESCRIPTION	Qty /Unit	price (RM)	NOTES
1	E10-1	B02050601622	螺钉M6X16	SCREW	1	0.20	
2	E10-2	210022140000	垫圈组件(变档鼓组合内)	WASHER COMP	1	3.30	
3	E10-3	210112140000	拨叉(变档鼓组合内)	FORK, GEAR SHIFT	2	21.30	
4	E10-4	210072140000	变档鼓(变档鼓组合内)	DRUM, GEAR SHIFT	1	26.10	
5	E10-5	210042140000	定位板弹簧	SPRING, STOPPER	1	0.30	
6	E10-6	210012140000	卡夹(变档鼓组合内)	CLIP	2	0.30	
7	E10-7	210142140000	导向销(变档鼓组合内)	PIN, STRAIGHT	2	0.30	
8	E10-8	210212140000	变档钩弹簧	SPRING	1	0.80	
9	E10-9	210092140000	定位销钉4×12.7(变档鼓组合内)	PIN, STOPPER4×12.7	4	0.30	
10	E10-10	210082140000	滚针4×8.7(变档鼓组合内)	PIN, STOPPER4×8.7	1	0.30	
11	E10-11	210102140000	滚针3×8.5(变档鼓组合内)	PIN, STOPPER3×8.5	2	0.40	
12	E10-12	210332160000	档位定位板	PLATE	1	7.20	
13	E10-13	B01070601663	螺栓M6×16	BOLT M6×16	1	0.20	
14	E10-14	210112160010	定位板组件	WHEEL ASSY	1	4.50	
15	E10-15	210212160000	导板组件	DIAL BALL ASSY	1	15.70	
16	E10-16	240022160000	变档臂组件	ARM ASSY	1	16.40	
17	E10-17	219022160000	变档轴组件	SHAFT, GEAR SHIFT	1	27.70	
18	E10-18	210022160000	变档回位弹簧	SPRING, RETURN	1	3.80	
19	E10-19	219042160020	变速鼓组合(不含五角星)	DRUM, GEAR SHIFT	1	47.90	
20	E10-20	219012160010	变档轴组合	SHAFT, GEAR SHIFT	1	30.30	

E11 起动轴组合 KICK STARTER ASSY



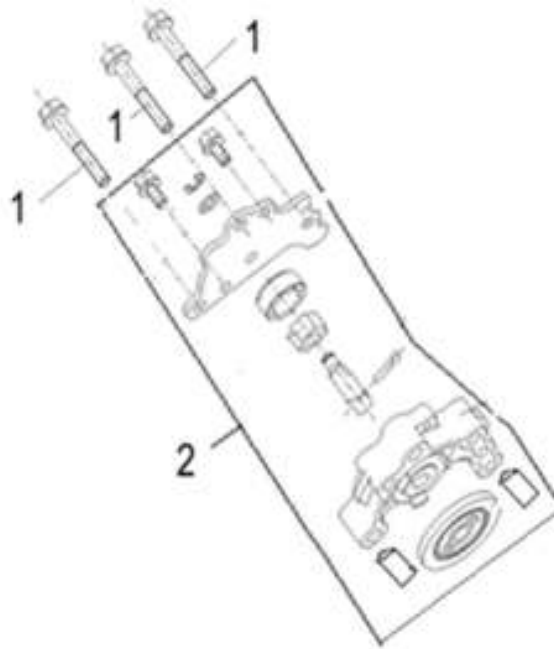
NO.	Position No.	CODE	CN Description	EN DESCRIPTION	Qty /Unit	price (RM)	NOTES
1	E11-1	259013010000	脚起动轴组合	KICK STARTER ASSY	1	30.00	

E12 初级离合器分总成 PRIMARY CLUTCH ASSY



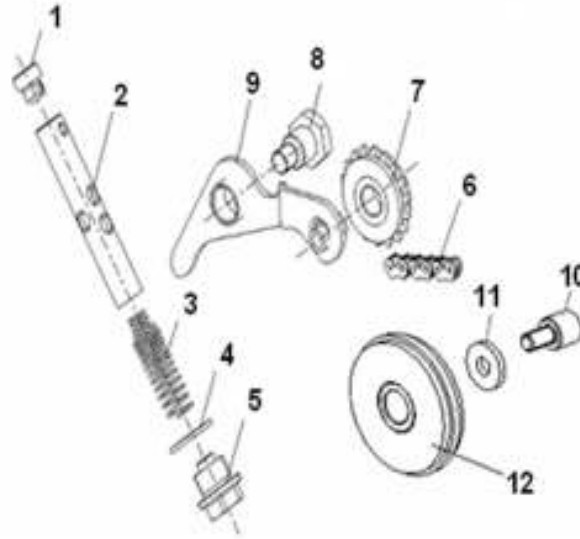
NO.	Position No.	CODE	CN Description	EN DESCRIPTION	Qty /Unit	price (RM)	NOTES
1	E12-1	200013010000	主动齿轮组件	GEAR ASSY,PRIMARY DRIVE	1	117.00	
2	E12-2	200182160010	滚柱顶簧	SPRING	6	1.50	
3	E12-3	200032160010	滚柱 5	ROLLER 5	6	1.30	
4	E12-4	200053010000	弹簧套	SLEEVE	1	0.40	
5	E12-5	200063010000	扭簧	SPRING	1	0.40	
6	E12-6	200033010000	副齿轮	GEAR PRIMARY DRIVE	1	9.70	
7	E12-7	200572160000	星轮组合	ROLLER KEEPER	1	5.60	
8	E12-8	209003010000	初级离合器分总成	PRIMARY CLUTCH ASSY	1	283.00	
9	E12-9	200052160010	挡圈	CIRCLIP	1	0.30	
10	E12-10	200192160010	星轮垫片	WASHER	1	0.60	
11	E12-11	200112160000	离合器拉簧	SPRING	3	0.80	
12	E12-12	209023010000	主动盘组件	HOUSING,CLUTCH ASSY	1	42.50	
13	E12-13	200102160010	减震套	DAMPER	3	0.50	
14	E12-14	200162160000	蹄块组件	SHOE,CLUTCH	3	18.30	
15	E12-15	200292160000	下盖板	UNDERSIDE COVER	1	9.20	
16	E12-16	B08030000600	挡圈6	CIRCLIP 6	3	0.50	
17	E12-17	260012160010	滤清器垫片	GASKET	1	0.40	
18	E12-18	200122160010	滤清器盖	COVER,CLUTCH ASSY	1	3.00	
19	E12-19	260022160010	止推垫片	WASHER	1	0.40	
20	E12-20	200152140000	碟形垫片	WASHER	1	0.40	
21	E12-21	200142140000	圆螺母	NUT	1	1.40	
22	E12-22	B02000500824	螺钉M5×8	SCREW M5×8	3	0.30	
23	E12-23	200133010000	挡圈	CIRCLIP	1	0.30	
24	E12-24	200262160010	挡销	BLOCK PIN	1	0.30	
25	E12-25	200312160000	上盖板	ABOVE COVER	1	9.50	
26	E12-26	200302160000	蝶形簧	DISH REED	1	1.00	
27	E12-27	200143010020	主动盘组合(旺成)	CLUTCH SHOES ASSY	1		

E13 机油泵分总成 OIL PUMP ASSY



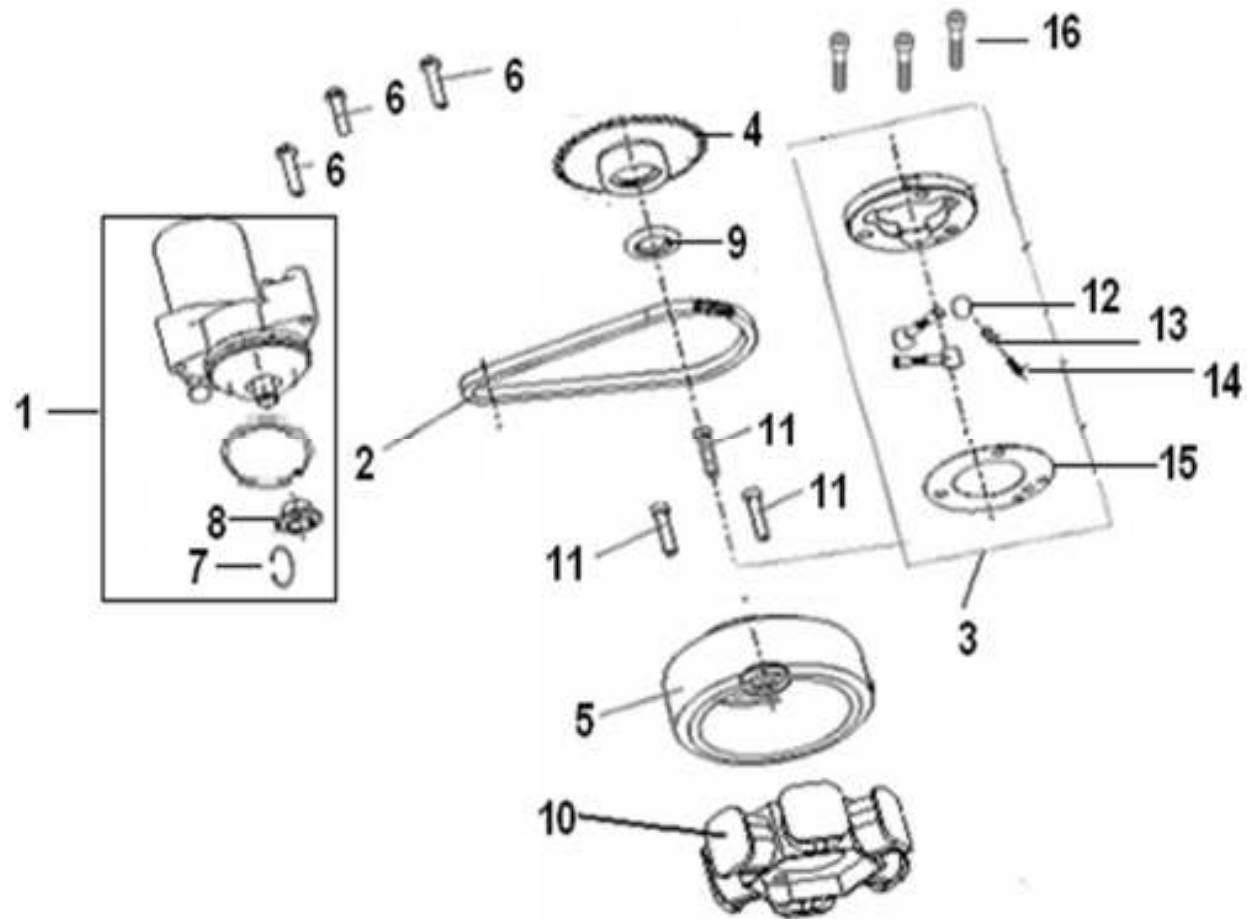
NO.	Position No.	CODE	CN Description	EN DESCRIPTION	Qty /Unit	price (RM)	NOTES
1	E13-1	B01070603063	螺栓M6×30	BOLT M6×30	3	0.30	
1A	E13-1A	B0107060326H	螺栓M6X32	BOLT M6X32	3	0.60	start from Engine NO.8000422
2	E13-2	269003010000	机油泵分总成	OIL PUMP ASSY	1	35.60	
2A	E13-2A	269013010000	机油泵分总成	OIL PUMP ASSY	1		start from Engine NO.8000422

E14 链条张紧机构分总成 CAM CHAIN & TENSIONER



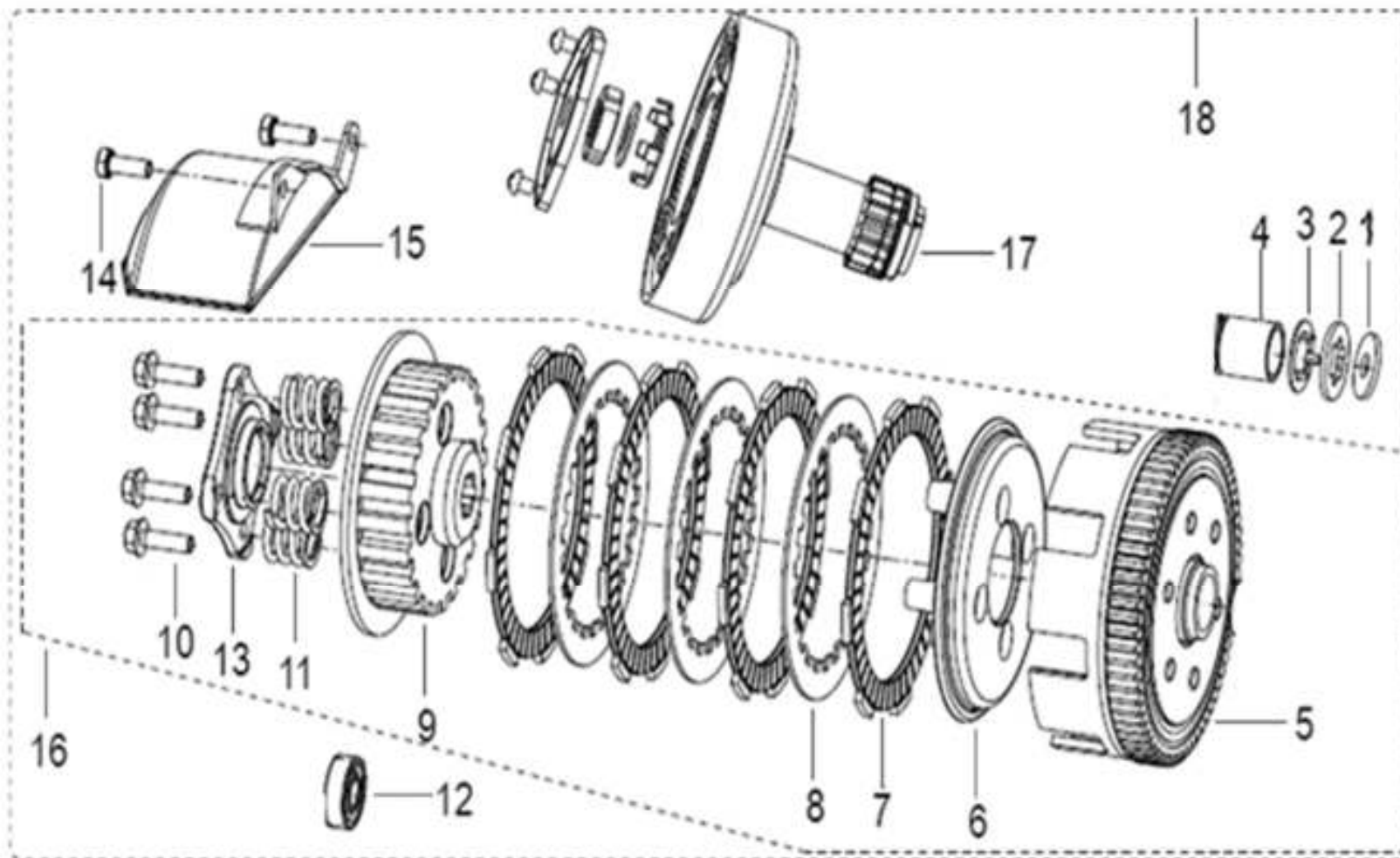
NO.	Position No.	CODE	CN Description	EN DESCRIPTION	Qty /Unit	price (RM)	NOTES
1	E14-1	140042140010	链条张紧杆头 (氟橡胶)	CAP	1	1.80	
2	E14-2	140072140000	链条张紧杆组件	SHAFT	1	5.80	
3	E14-3	140032140010	链条张紧杆弹簧	SPRING	1	0.30	
4	E14-4	210382140020	垫圈	WASHER	1	0.20	
5	E14-5	14002214001X	密封螺塞(镀铬)	PLUG,CHROMEPLATE	1	1.70	
6	E14-6	140013010010	套筒滚子链条 (90节)	CHAIN,CAMSHAFT DRIVE	1	16.40	
7	E14-7	140122140000	链条张紧滚轮	SPROCKET,CHAIN TENSIONER	1	2.60	
8	E14-8	14006214001X	链条张紧臂心轴	AXLE,CHAIN TENSIONER	1	1.10	
9	E14-9	14011214001X	链条张紧臂组件	ARM,CHAIN TENSIONER	1	4.80	
10	E14-10	14003301001X	固定螺钉	SCREW	1	1.00	
11	E14-11	140043010000	垫片	WASHER	1	0.20	
12	E14-12	140023010010	张紧轮	CHAIN SPROCKET,LUB DUMP	1	3.70	

E15 电启动分总成 ELECTRONIC STARTING ASSY



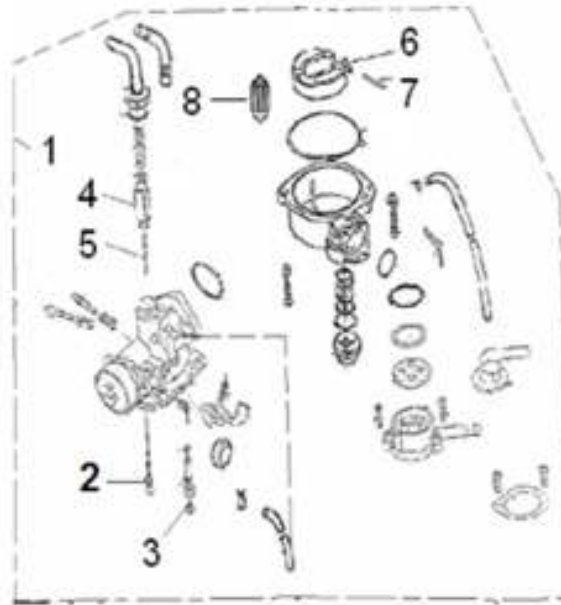
NO.	Position No.	CODE	CN Description	EN DESCRIPTION	Qty /Unit	price (RM)	NOTES
1	E15-1	249012140240	起动电机组件	MOTOR ASSY, STARTING	1	113.00	
2	E15-2	140012140000	链条(62节)	CHAIN	1	11.50	
3	E15-3	249092140000	星轮组件	CLUTCH SET, STARTER	1	22.40	
4	E15-4	240042140000	起动大链轮组件	GEAR COMP, STARTER CLUTCH	1	25.60	
5	E15-5	299022160020	飞轮组合(凸台角度20°)	ROTOR ASSY	1	66.30	
6	E15-6	B01070604565	螺栓M6×45	BOLT M6×45	3	0.60	
7	E15-7	B08010001701	挡 圈	WASHER	1	0.60	
8	E15-8	249112140000	链 轮	SPROCKET	1	7.70	
9	E15-9	240052140010	油封18.9×30 ×5 (氟橡胶)	OIL SEAL 18.9×30 ×5	1	4.70	
10	E15-10	299032160000	线圈 (8级电瓶点火)	STATOR ASSY. COMP.	1	72.00	
11	E15-11	B02050601622	螺钉M6×16	BOLT M6×16	3	0.20	
12	E15-12	240022140000	滚柱	ROLLER	3	2.80	
13	E15-13	240104050000	顶销	CAP	3	0.60	
14	E15-14	240094050000	弹簧	SPRING	3	0.60	
15	E15-15	240032140000	垫圈	WASHER	1	0.60	
16	E15-16	240063090000	螺钉M6×14	SCREW M6×14	3	0.30	

E16 离合器分总成 CLUTCH ASSY



NO.	Position No.	CODE	CN Description	EN DESCRIPTION	Qty /Unit	price (RM)	NOTES
1	E16-1	200252160010	塑料垫	SPACER	1	0.40	
2	E16-2	200092160002	主轴内花键垫圈	WASHER	1	0.80	
3	E16-3	200082160010	卡圈	CLOSING RING	1	0.40	
4	E16-4	200022160010	离合器外壳轴套	DOS SHELL BUSHING	1	0.80	
5	E16-5	200172160010	离合器外壳组合	CLUTCH DRUM COMP.	1	87.60	
6	E16-6	200232160010	离合器压盘	HUB,CLUTCH SLEAVE	1	13.10	
9	E16-9	209102160010	离合器中心架组合	CLUTCH HUB	1	25.50	
10	E16-10	B01030602063	螺栓M6×20	BOIL M6×20	4	0.30	
11	E16-11	200083010000	离合器弹簧	SPRING,CLUTCH	4	1.30	
12	E16-12	B12016000004	轴承6000/P6C3Z1 (进口)	BEARING 6000/P6C3Z1	1	13.00	
13	E16-13	200112160010	离合器分离盖	PLATE,CLUTCH PRESSURE	1	4.30	
14	E16-14	B01030601663	螺栓M6×16	BOLT M6×16	2	0.30	
15	E16-15	200202160010	油壳组合	OIL COVER CASSY	1	9.50	
16	E16-16	200453010000	摩擦离合器分总成	CLUTCH ASSY	1	234.20	
17	E16-17	209003010000	初级离合器分总成	PRIMARY CLUTCH ASSY	1	283.00	
18	E16-18	20900301006Z	离合器总成	CLUTCH ASSY	1	381.30	

E17 化油器分总成 CARBURETOR ASSY



NO.	Position No.	CODE	CN Description	EN DESCRIPTION	Qty /Unit	price (RM)	NOTES
1	E17-1	3390001F0045	化油器总成 (MJ95A# NJ30#)标识B10 A	CARBURETOR ASSY,MJ95A# NJ30#,mark:B10 A	1	191.70	
2	E17-2	3311501F0033	主最孔95A#	JET,MAIN,95A#	1	10.50	
3	E17-3	3312401F0031	怠速量孔30#	JET,IDLE 30#	1	6.50	
4	E17-4	3322101F0030	柱塞	VALVE,PISTON	1	19.60	
5	E17-5	3324201F0030	油针	NEEDLE	1	5.10	
6	E17-6	3340201F0030	浮子	FLOAT	1	8.40	
7	E17-7	3340601F0030	浮子销	PIN, FLOAT	1	0.30	
8	E17-8	3341901F0030	针阀体	VALVE NEEDLE	1	6.40	