

FIG.1		CYLINDERHEAD		
Ref.No.	PartNo.	Description	Q'ty	Remarks
E1-1	11101QM09000	Head assy, cylinder	1	普通款
E1-2	13110QM09000	Gasket	1	
E1-3	09206Q080806	Pin 8×11	2	
E1-4	02304Q060605	Bolt M6×60	5	
E1-5	09241Q380801	Plug	1	
E1-6	09280Q390803	O-ring 3.0×46	1	
E1-7	09402Q462007	Clamp		
E1-8	11141QM09000	Gasket cylinder head	1	
E1-9	09206Q130803	Pin 13×18	2	
E1-10	02304Q060455	Bolt M6×48	3	
E1-11	05406Q011065	Nut M6	2	
E1-12	09159Q100803	Nut M10	3	
E1-13	09160Q100802	Washer	3	
E1-14	09159Q100804	Nut M10	1	
E1-15	09160Q100803	Washer	1	
E1-16	11151QM09000	Pad,Rubber	4	
E1-17	09482Q000818	Spark plug	1	
E1-18	11175QK01000	Cap,inspection	2	
E1-19	09280Q290802	O-Rng 3.0×29.5	2	
E1-20	03424Q060161	Bolt M6×16	2	

FIG.2		CYLINDER		
Ref.No.	PartNo.	Description	Q'ty	Remarks
E2-1	11210QM09000	Cylinder	1	
E2-2	09108Q100802	Stud boltL:166	3	
E2-3	09108Q100801	Stud bolt L:161	1	
E2-4	09108Q060820	Stud bolt L:191	2	
E2-5	11241QM09000	Gasket,cylinder	1	
E2-6	09206Q130803	Pin 13×18	2	

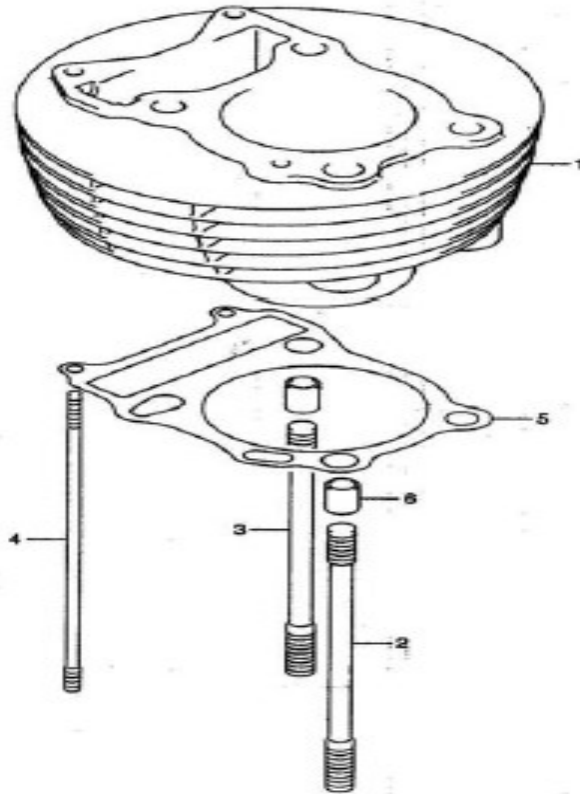


FIG.3		CRANKCASE		
Ref.No.	PartNo.	Description	Q'ty	Remarks
E3-1	11300QM09000	Crankcase	1	
E3-2	09206Q130803	Pin 13×18	2	
E3-3	02104Q060355	Bolt M6×35	4	
E3-4	02104Q060455	Bolt M6×45	9	
E3-5	02104Q060555	Bolt M6×55	1	
E3-6	02104Q060605	Bolt M6×60	2	
E3-7	02104Q060705	Bolt M6×70	1	
E3-8	09280Q090805	O-ring	1	
E3-9	09280Q060803	O-ring	1	

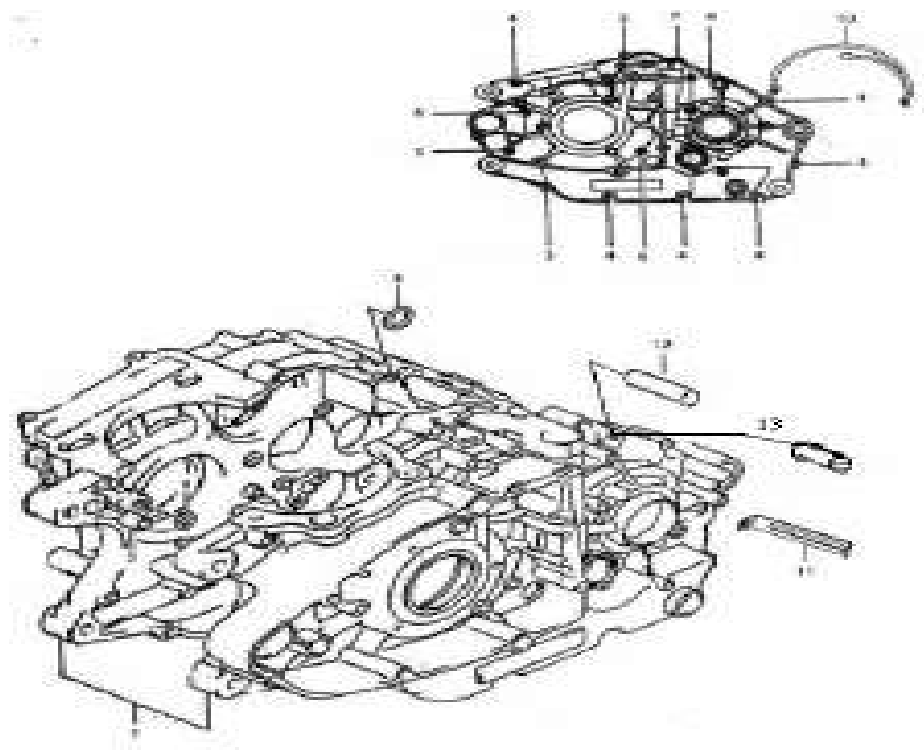


FIG.4		CRANKCASECOVER		
Ref.No.	PartNo.	Description	Q'ty	Remarks
E4-1	11340QM09510-009	Cover, clutch	1	
E4-2	11482QM09000	Gasket, clutch cover	1	
E4-3	11971QK01000	Lens, oil level	1	
E4-4	09206Q130803	Pin 13×18	4	
E4-5	02104Q060305	Bolt M6×30	9	
E4-6	02104Q060455	Bolt M6×45	2	
E4-7	02104Q050505	Bolt M5×50	1	
E4-8	09259Q200802	Plug, oil filler	1	
E4-9	09280Q160802	O-Ring	1	
E4-10	09247Q140805	Plug, oil check	1	油冷机2件
E4-11	09168Q130801	Gasket	1	油冷机2件
E4-12	11351QM09000	Cover, magneto	1	
E4-13	11483QM09000	Gasket, magneto cover	1	
E4-14	02104Q060255	Bolt 6×25	3	
E4-15	02104Q060355	Bolt 6×35	1	
E4-16	02104Q060505	Bolt M6×50	1	
E4-17	02104Q060605	Bolt M6×60	1	
E4-18	09247Q120802	Plug, T.D.C	1	
E4-19	09168Q110801	Gasket	1	
E4-20	09247Q360801	Plug, T.D.C	1	
E4-21	09280Q320801	O-ring	1	
E4-22	11361QM09000	Cover,engine sprocket	1	
E4-23	02104Q050205	Bolt M5×20	1	
E4-24	02104Q050305	Bolt M5×30	1	
E4-25	02104Q050255	Bolt M5×30	1	

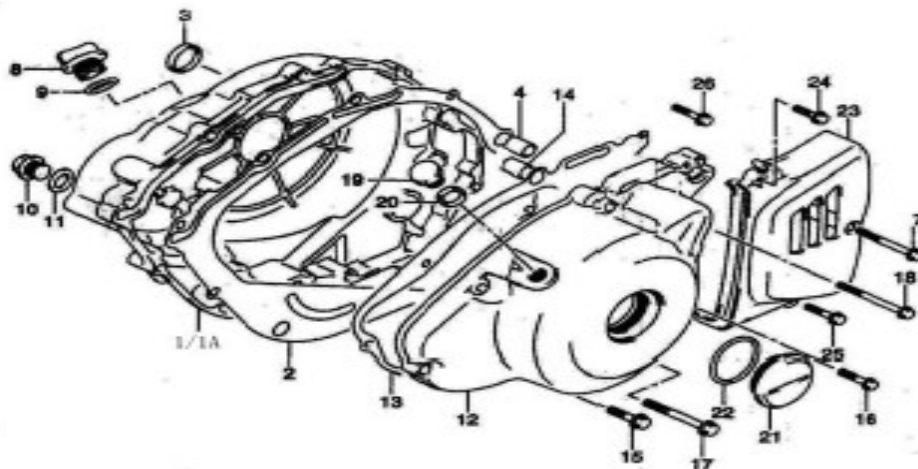
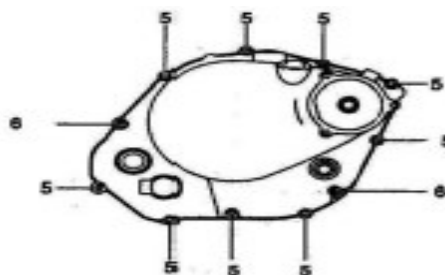


FIG.5		CRANKSHAFT		
Ref.No.	PartNo.	Description	Q'ty	Remarks
E5-1	12200QM09000	Crankshaft assy	1	
E5-2	09381Q200801	Circlip	2	
E5-3	12151QM09000	Pin, piston	1	
E5-4	12140QM09000	Ring	1	
E5-5	12111QM09000	Piston	1	
E5-6	09421Q120801	Key	1	
E5-7	09164Q200801	Washer	1	
E5-8	09140Q200804	Nut M20×1.5(laevogyrate)	1	
E5-9	21111QM09000	Face, fixed driver gear, primary	1	
E5-10	05512Q006306	Bearing, RH	1	
E5-11	05512Q006307	Bearing, LH	1	
E5-12	09283Q140805	Oil seal	1	
E5-13	09169Q360801	Washer	1	
E5-14	12311QM09000	Holder, bearing	1	
E5-15	03424Q050102	Bolt M5×10	2	
E5-16	12742QM09000	Driver belt wheel/sprocket, cam	1	
E5-17	09422Q080801	Key	1	
E5-18	12661QM09000	Drive gear, crank balancer	1	

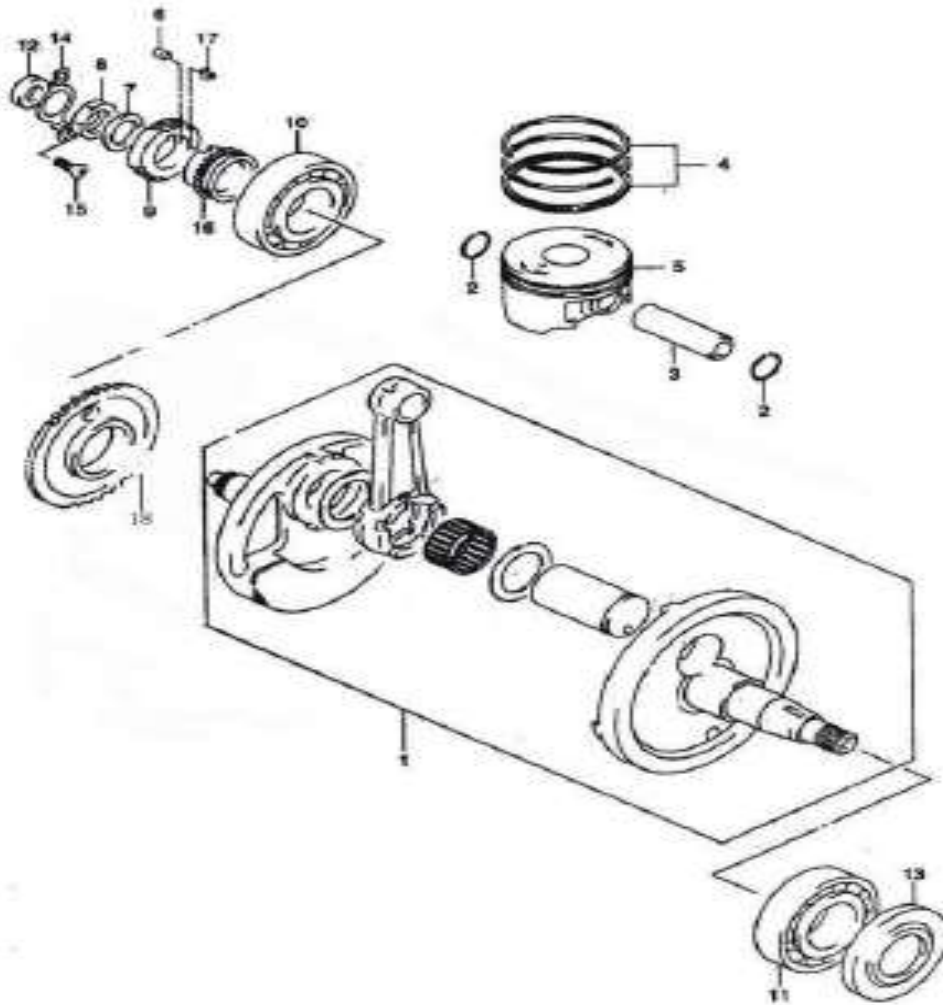


FIG.6		STARTERCLUTCH		
Ref.No.	PartNo.	Description	Q'ty	Remarks
E6-1	26261QM09000	Gear, starter idle	1	
E6-2	24151QM09000	Pin	1	
E6-3	12600QM09000	Clutch set, starter	1	
E6-4	09100Q080804	Bolt	3	
E6-5	09160Q270801	Washer	1	
E6-6	09263Q270801	Bearing	1	
E6-7	09285Q520801	Oil seal	1	

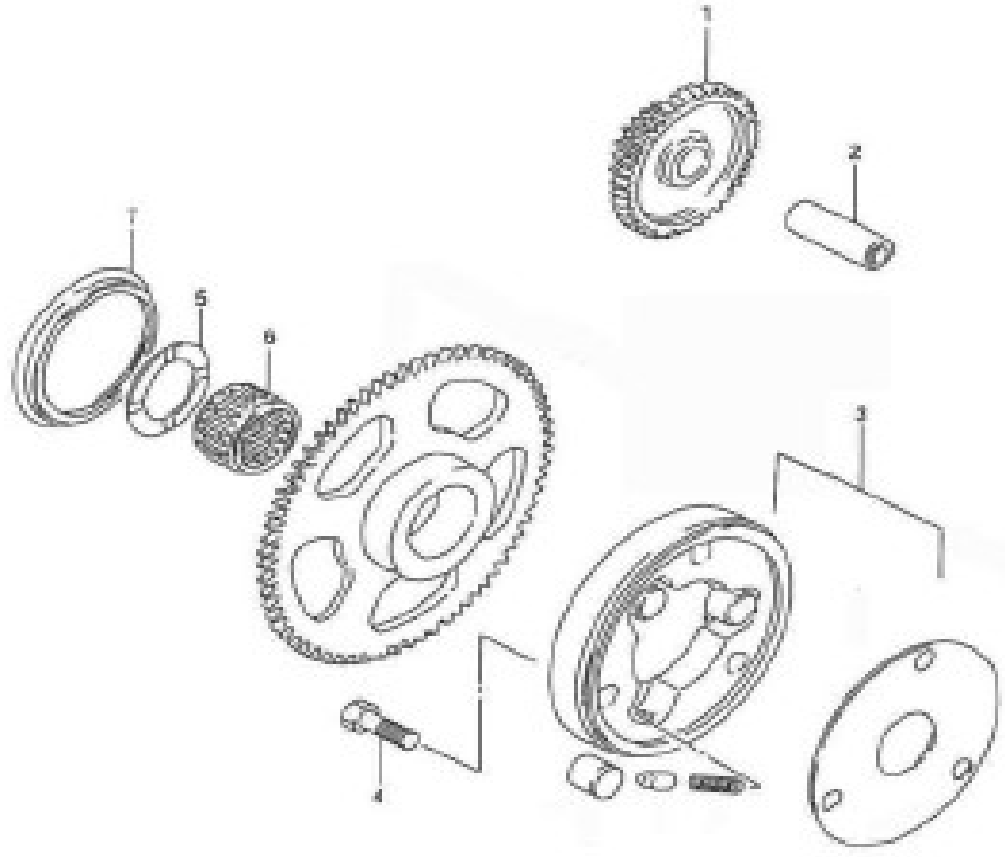


FIG. 7

CAMSHAFT-VALVE

Ref.No.	PartNo.	Description	Q'ty	Remarks
E7-1	12711QM09000	Cam shaft	1	
E7-2	12741QM09000	Sprocket	1	
E7-3	09206Q080806	Pin	1	
E7-4	09202Q050802	Pin	1	
E7-5	09106Q060803	BoltM6×12	2	
E7-6	09390Q300801	C- Ring	1	
E7-7	12840QM09000	Arm, valve rocker intake	2	
E7-8	12842QK01000	Screw	2	
E7-9	12843QK01000	Nut	2	
E7-10	12861QM09000	Shaft, rocker arm	2	
E7-11	09280Q080803	O-Ring	2	
E7-12	09164Q120806	O-Ring Wave washer	2	
E7-13	12912QM09000	Valve, exhaust	1	
E7-14	12911QM09000	Valve, intake	1	
E7-15	12922QM09000	Spring , valve	2	
E7-16	12931QK01000	Retainer, spring	2	
E7-17	12932QK01010	Cotter, valve	4	
E7-18	12933QM09000	Seat, spring	2	
E7-19	09284Q050801	Oil seal	2	

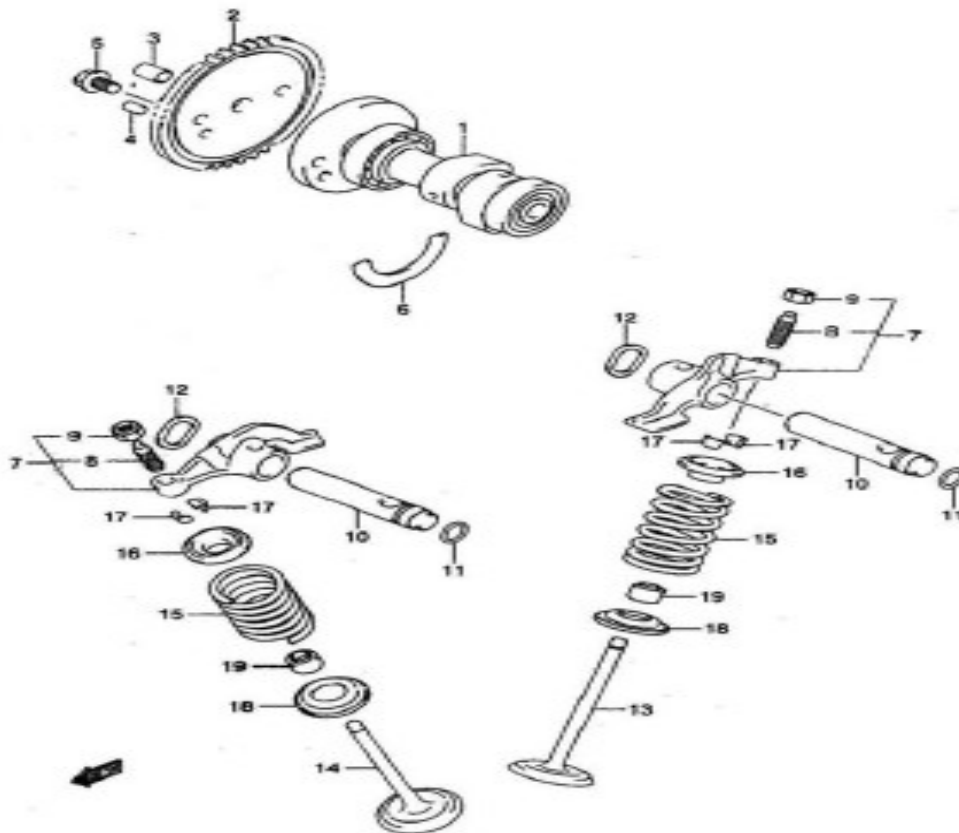


FIG.8		CRANK BALANCER ASSY		
Ref.No.	PartNo.	Description	Q'ty	Remarks
E8-1	12651QM09000	Crank balancer	1	
E8-2	05510Q006305	Bearing 6305	2	
E8-3	12652QM09000	Washer balancer crank	2	
E8-4	12666QM09000	Drivengear,crank balancer	1	
E8-5	12667QM09000	Drivengear,crank balancer inside track	1	
E8-6	09181Q250809	Washer	1	
E8-7	09202Q040805	Pin	3	
E8-8	09421Q050801	Key	1	
E8-9	09440Q090802	Spring	6	
E8-10	01604Q120162	Bolt	1	
E8-11	09160Q120806	Washer	1	

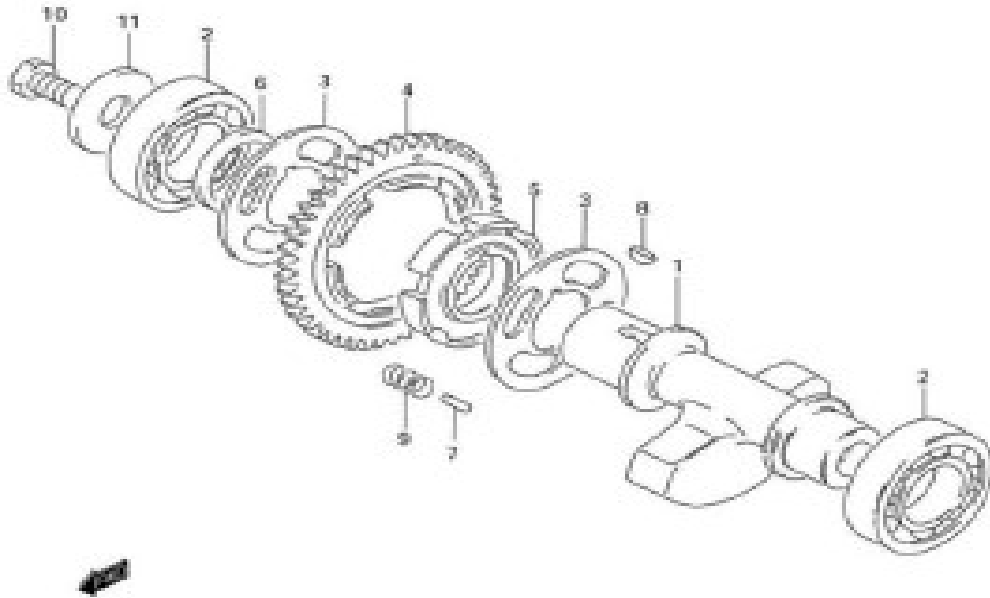


FIG.9		CAMCHAIN		
Ref.No.	PartNo.	Description	Q'ty	Remarks
E9-1	12760QM09000	Chain, cam shaft drive	1	
E9-2	12771QM09000	Guide, cam chain	1	
E9-3	12811QM09000	Tensioner, cam chain	1	
E9-4	12812QK01000	Bolt	1	
E9-5	09168Q080806	Washer	1	
E9-6	12830QM09000	Adjuster assy, tensioner	1	
E9-7	12837QK01000	Gasket, adjuster	1	
E9-8	02104Q060205	Bolt M6×20	2	

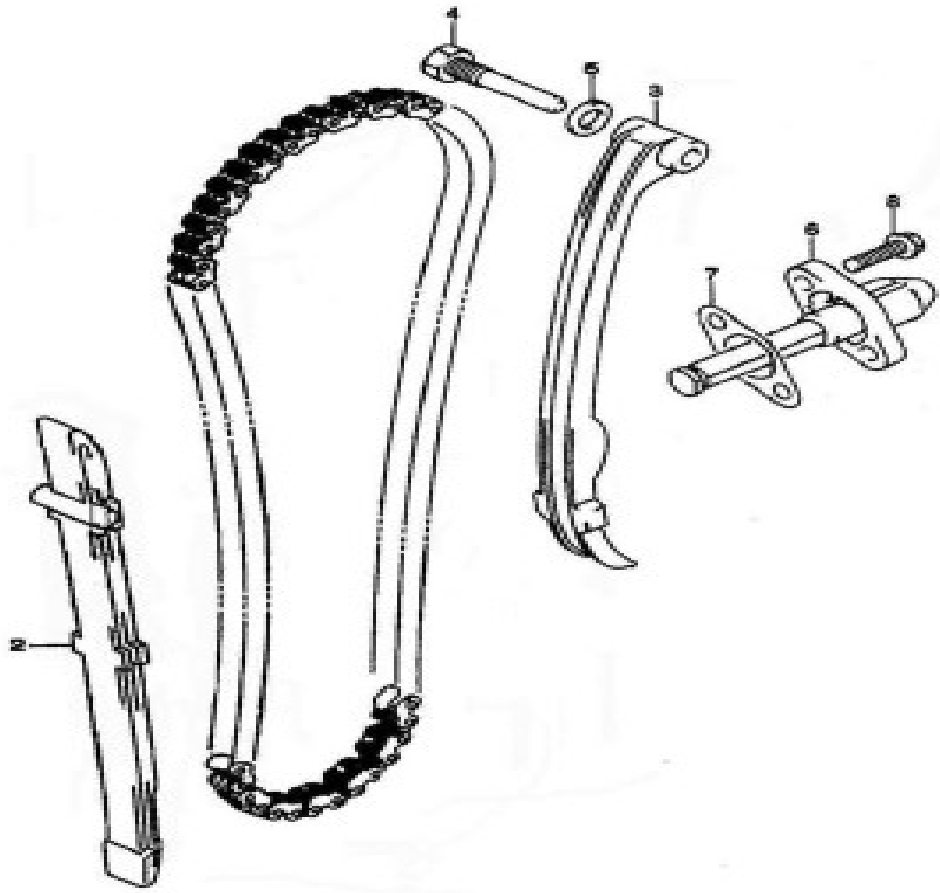


FIG.10		OILPUMP		
Ref.No.	PartNo.	Description	Q'ty	Remarks
E10-1	16100QM09000	Pump, engine oil	1	
E10-2	16331QM09000	Gear, driven	1	
E10-3	09202Q040806	Pin	1	
E10-4	09160Q100807	Washer	1	
E10-5	05430Q021106	Circlip	1	
E10-6	03414Q060251	Screw M6×25	3	
E10-7	16520QM09000	Strainer, engine oil	1	
E10-8	03414Q350121	Screw M5×12	2	
E10-9	16523QM09000	Cap	1	
E10-10	09280Q810801	O-Ring	1	
E10-11	02104Q060205	Bolt M6×20	3	
E10-12	09247Q140804	Plug, drain	1	
E10-13	09168Q130801	Gasket	1	
E10-14	16510QM09000	Filter, engine oil	1	
E10-15	09280Q150804	O ring	1	
E10-16	16512QM09000	Cap,oil filter union	1	
E10-17	09280Q720801	O ring	1	
E10-18	09440Q210802	Spring	1	
E10-19	03014Q060162	Bolt	3	
E10-20	05406Q011065	Nut M6	3	

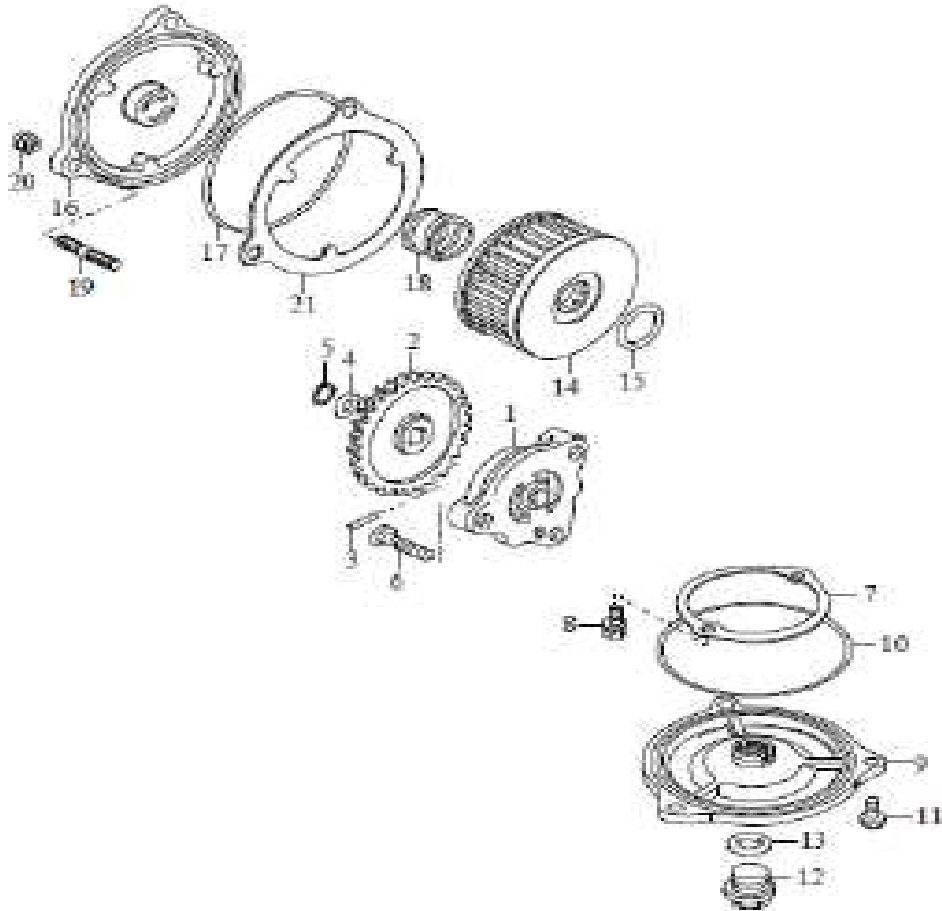


FIG.11		CLUTCH		
Ref.No.	PartNo.	Description	Q'ty	Remarks
E11-1	21220QM09000	Gear assy, primary driven	1	
E11-2	09181Q220802	Washer	2	
E11-3	21251QM09000	Spacer, clutch	1	
E11-4	21411QM09000	Hub, sleeve	1	
E11-5	09140Q220801	Nut M22×1.5	1	
E11-6	09167Q220801	Washer	1	
E11-7	01604Q060165	Bolt M6×16	1	
E11-8	21441QM09000	Plate, driven	4	
E11-9	21442QM09000	FRICION PIECE B	1	
E11-10	09181Q000801	Washe	1	

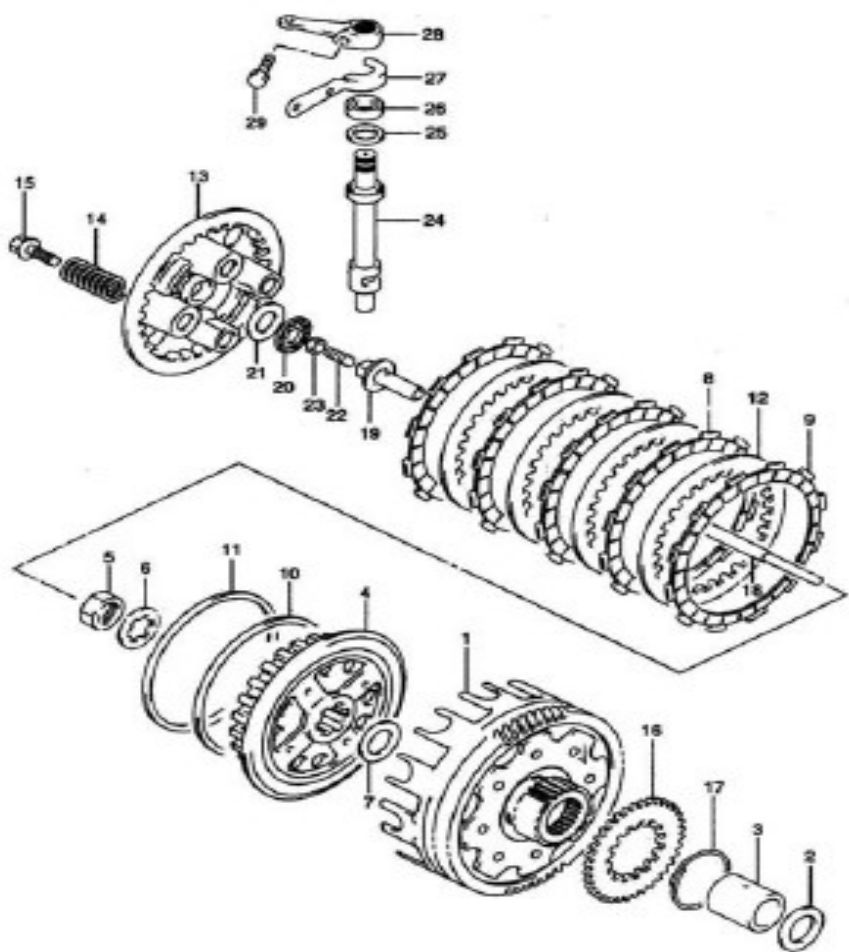


FIG.11		CLUTCH		
E11-11	09181Q000802	Washer	1	
E11-12	21442QM09000-2	Plate, driven	4	
E11-13	21462QM09000	Disk, pressure	1	
E11-14	09440Q180803	Spring	4	
E11-15	09116Q060801	Bolt M6×20	4	
E11-16	16321QM09000	Gear, driven	1	
E11-17	05430Q031426	Circlips for holes	1	
E11-18	23110QM09000	Rod, push	1	
E11-19	23121QK01000	Peace	1	
E11-20	09263Q150807	Thrust, bearing	1	
E11-21	09160Q150801	Washer	1	
E11-22	09135Q060805	Screw M6×25	1	
E11-23	09140Q060803	Nut M6	1	
E11-24	23122QM09000	Camshafte	1	
E11-25	09167Q220801	Washer	1	
E11-26	09283Q100804	Oil seal	1	
E11-27	23123QM09000	Washer	1	
E11-28	23271QM09000	Arm, release	1	

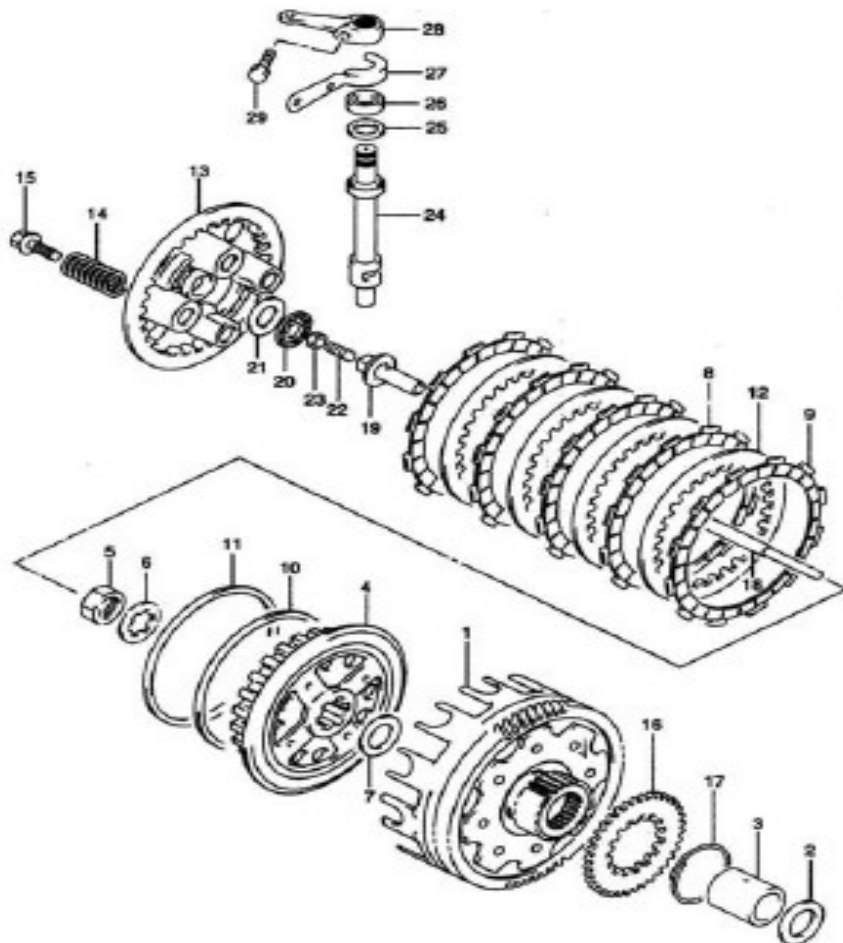


FIG.12		TRANSMISSION		
Ref.No.	PartNo.	Description	Q'ty	Remarks
E12-1	24000QM09000	Countershaft	1	
E12-2	05510Q063A22	Bearing	1	*
E12-3	05530Q006203	Bearing	1	
E12-4	24741QM09000	Holder, bearing	1	
E12-5	03414Q060121	Screw M6×12	2	
E12-6	05572Q263A22	Bearing	1	
E12-7	09181Q350802	Washer	1	
E12-8	27512QM09000	Washer	1	
E12-9	09283Q300803	Oil seal	1	
E12-10	24751QM09000	Holder, bearing	1	
E12-11	05530Q006203	Bearing	1	
E12-12	01704Q060101	Bolt M6×12	2	
E12-13	27511QM09000	Sprocket	1	
E12-14	27531QM09000	Spacer	1	
E12-15	K166FML04-19	O-ring	1	
E12-16	09143Q180801	Nut M18×1.5	1	

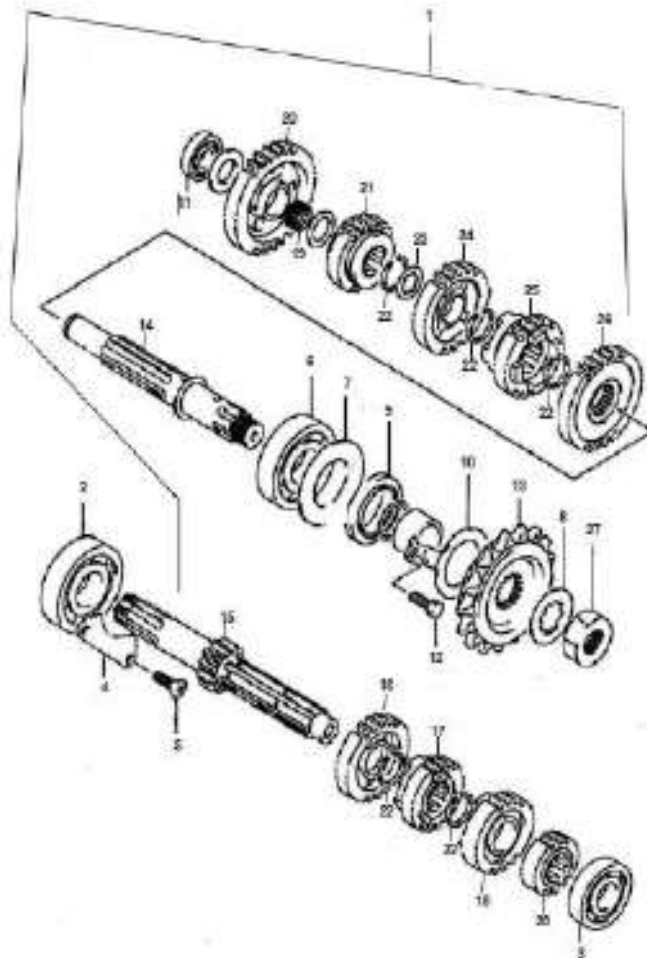


FIG.13		GEARSHIFTING		
Ref.No.	PartNo.	Description	Q'ty	Remarks
E13-1	25211QM09000	Fork, gear shifting (1)	1	
E13-2	25221QM09000	Fork, gear shifting (2)	1	
E13-3	25231QM09000	Fork, gear shifting (3)	1	
E13-4	25411QM09000	Shaft, fork	2	
E13-5	25310QM09000	Cam, gear shifting	1	
E13-6	25322QK01000	Gear cam driven	1	
E13-7	25323QK01000	Pawl, (1)	1	
E13-8	25324QK01000	Pawl, (2)	1	
E13-9	09202Q050803	Pin	2	
E13-10	09440Q040806	Spring	2	
E13-11	25331QM09000	Lifter, pawl	1	
E13-12	03424Q060121	Screw	2	
E13-13	25341QM09000	Guide, cam	1	
E13-14	03424Q060121	Screw	2	
E13-15	25350QM09000	Stopper, cam	1	
E13-16	29613QM09000	Spring	1	
E13-17	25351QK01000	Stopper, neutral	1	
E13-18	09247Q140805	Plug, cam stopper	1	

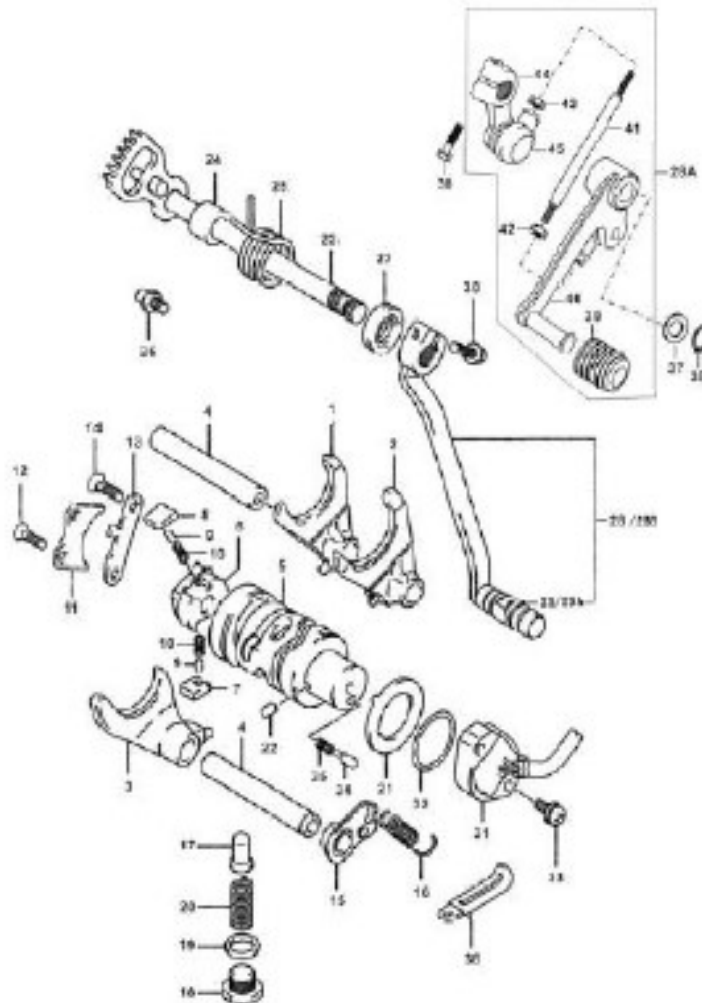


FIG.13		GEARSHIFTING		
E13-19	09168Q130801	Washer	1	
E13-20	09440Q110803	Spring	1	
E13-21	25381QK01000	Plate, stopper	1	
E13-22	04522Q040061	Pin4×6	1	
E13-23	25510QM09000	Shaft, gear shifting	1	
E13-24	09180Q120803	Spacer	1	
E13-25	09444Q260802	Spring	1	
E13-26	25671QK01000	Stopper, arm	1	
E13-27	09283Q120802	Oil seal	1	
E13-28	25600QMNZ060	Lever assy	1	
E13-29	25652QMN2000	Cover	1	
E13-30	01102Q060201	Bolt M6×20	1	
E13-31	37720QK01000	Terminal base assy	1	
E13-32	09280Q260802	Arm	1	
E13-33	03414Q350201	Screw M5×20	2	
E13-34	09202Q050804	Contact	1	
E13-35	09440Q040804	Nut, R	1	
E13-36	09404Q066801	Clip	1	

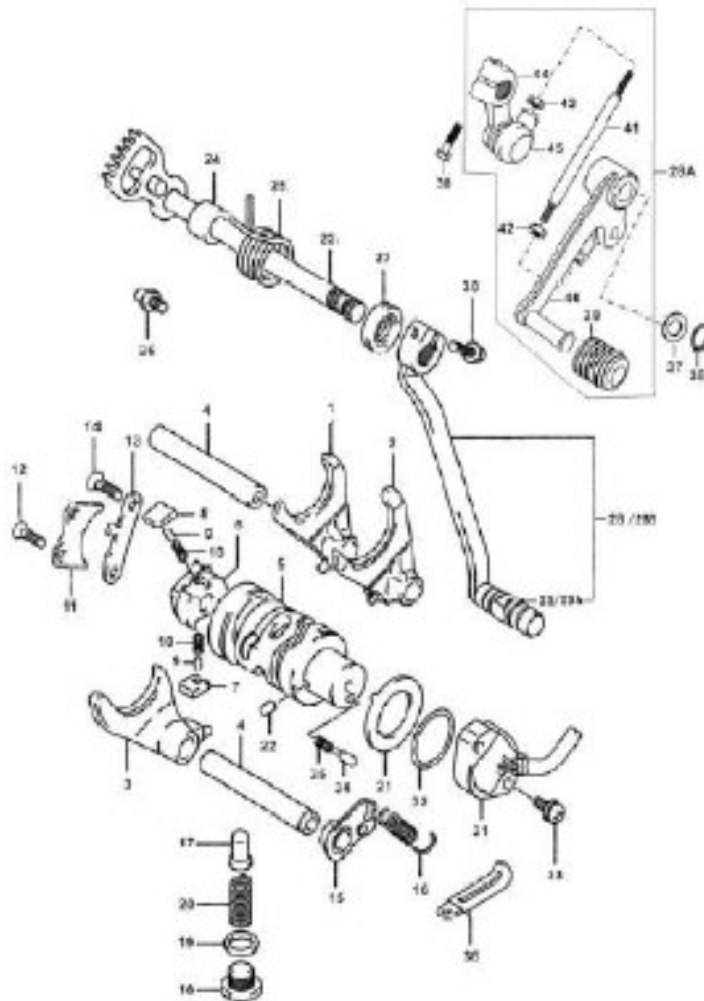


FIG.14		STARTINGMOTOR		
Ref.No.	PartNo.	Description	Q'ty	Remarks
E14-1	31100QM09000	Motor assy, starting	1	
E14-2	09280Q250804	O-Ring (3×*24.5)	1	
E14-3	02104Q060305	Bolt M6×30	2	

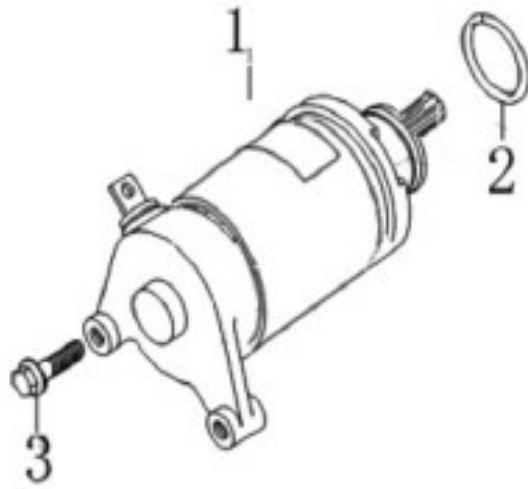


FIG.15		MAGNETO		
Ref.No.	PartNo.	Description	Q'ty	Remarks
	32100QM09000	MAGNETO ASSY	1	
E15-1	32101QM09000	Stator assy	1	
E15-2	32102QM09000	Rotor, flywheel	1	
E15-3	03414Q060251	Screw M6×25	3	
E15-4	09159Q160803	Nut M16	1	
E15-5	05440Q030132	Key 3×13	1	
E15-6	03614Q005126	M5×12	2	
E15-7	11334QM09000	Washer	1	
E15-8	09120Q050801	Screw M5×8	1	
E15-9	32900QM09000	CDI	1	
E15-10	33400QK01050	Coil, ignition	1	
E15-11	02304Q060202	Screw M6×20	2	

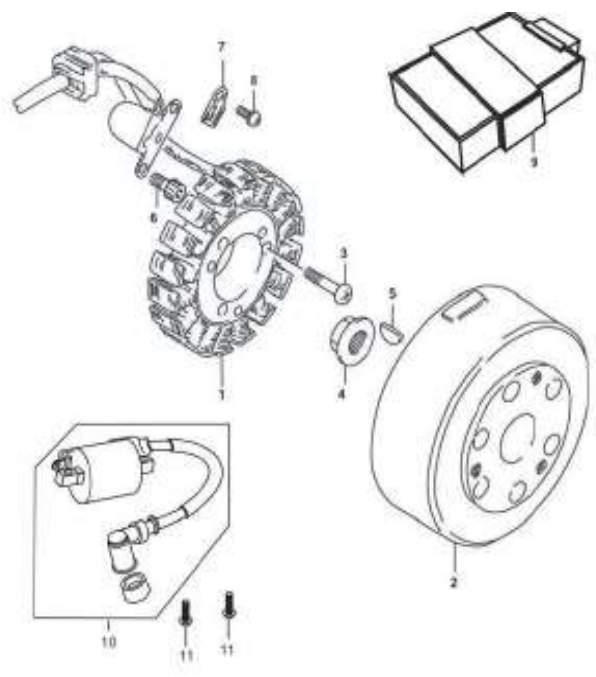
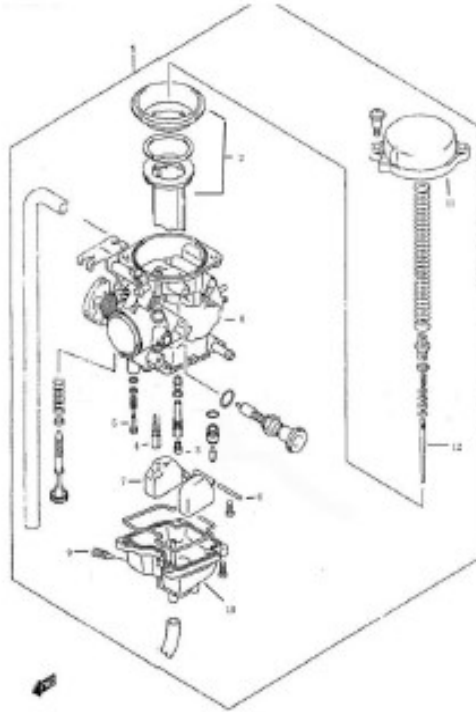


FIG.16		CARBURETOR		
Ref.No.	PartNo.	Description	Q'ty	Remarks
E16-1	13200QM09000	Carburetor assy	1	



F1-BODY COMP

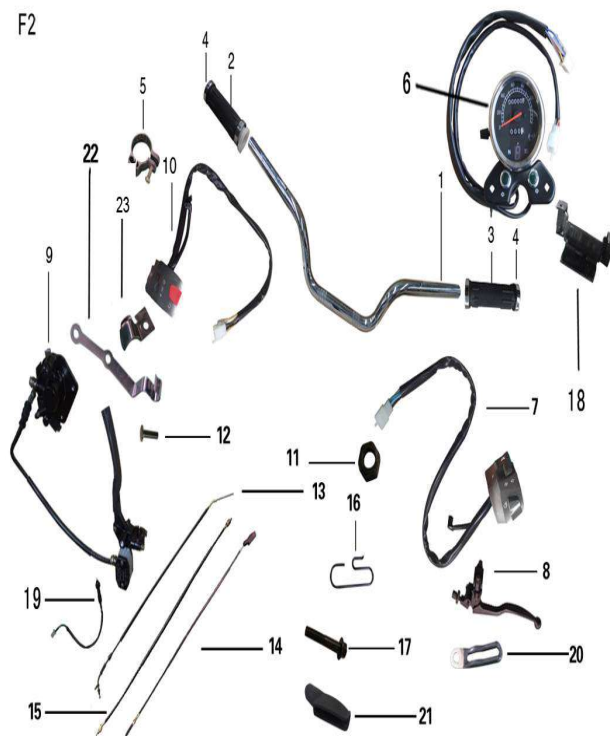
F1



F1-BODY COMP.,FRAME\FLOOR STEP

序号	PART CODE	PARTS NAME	用量
F1-1	1031400094530	FRAME,PART 1	1
F1-2	1270203012000	NAMEPLATE,FRAME	1
F1-3	7082803010002	RIVET (φ3.0×10)	2
F1-4	1030300030000	PLATE,ENGINE RIGHT UP HANGER	2
F1-5	7013008050168	BOLT,HEX FLANGE(M8×50)	3
F1-6	7033608000148	NUT,FLANGE	3
F1-7	1030300020000	PLATE,ENGINE FR.HANGER	1
F1-8	7013008065168	BOLT,HEX FLANGE (M8×65)	2
F1-9	7013008065168	BOLT,HEX FLANGE (M8×65)	2
F1-10	7034310000247	NUT (M10×1.25)	2
F1-11	7013008090168	BOLT,HEX FLANGE (M8×90)	2
F1-12	7033608000148	NUT,FLANGE	2
F1-13	1041400190000	BAR COMP.,STEP L.	1
F1-14	1041400200000	BAR COMP.,STEP R.	1
F1-15	7013012030268	BOLT,HEX FLANGE	2
F1-16	1260700040204	BAR COMP.,PILLION STEP ,L	1
F1-17	1260700050204	BAR COMP.,PILLION STEP ,R	1
F1-18	7012810025267	BOLT,HEX FLANGE (M10×55)	2
F1-19	1041400120000	HANDLE COMP,PILLION RIDER	2
F1-21	1040400211000	CLAMPER,CLUTCH CABLE	1
	7012810045267	HEXAGON FLANGE BOLT	1
	7013008085168		2

F2- SWITCH\CABLE\HANDLE\HANDLE LEVER\BRAKE



F2- SWITCH\CABLE\HANDLE\HANDLE LEVER\BRAKE

序号	PART CODE	英文名称	用量
F2-1	1130100220000	HANDLE COMP.,STEERING	1
F2-2	1261400041000	GRIP,R.HANDLE	1
F2-3	1261400031000	GRIP,L.HANDLE	1
F2-4	1139900008000	WEIGHT BALANCE MASS	2
F2-5	1260300340000	CLAMPER,CLUTCH CABLE	1
F2-6	1161000012000	SPEEDOMETER ASSY	1
F2-7	1180300121000	SWITCH COMP.,R.	1
F2-8	1180200110000	SWITCH ASSY	1
F2-9	1141400011000	DISK BRAKE ASS;Y,FRONT	1
	1141400013000	BRAKE LEVER	1
F2-10	1180300131000	SWITCH COMP.,R.	1
F2-11	7031905000137	NUT,HEX (M5)	1
F2-12	7013006012168	BOLT,HEX FLANGE (M6×12)	1
F2-13	1281400011000	CABLE COMP.,THROTTLE	1
F2-14	1281400031000	CABLE COMP.,CLUTCH	1
F2-15	1281400030000	CABLE COMP.,SPEEDOMETER	1
F2-16	1040400211000	CLAMP	1
F2-17	7021805020157	SCREW,PAN (M5×20)	1
F2-18	1041000070000	BRACKET	1
F2-19	1180300190000	FRONT BRAKE SWITCH	1
F2-20	1260300330000	CLAMPER,CLUTCH CABLE	1

F2-21	1260200010000	GRIP,L.HANDLE	1
F2-22		CLAMPER, FRONT BRAKE UPPER	1
F2-23		CLAMPER, FRONT BRAKE LOWER	1
	7511806020164		2
	7021806012167	HEXAGON SOCKET CAP SCREW	2
	7024908020167	HEXAGON SCREW,SPEEDOMETER BRACKET	2
	1260300300000	RUBBER CUSHION,TORQUE BAR	2
	1261400300000	CLAMP,SPEEDOMETER	

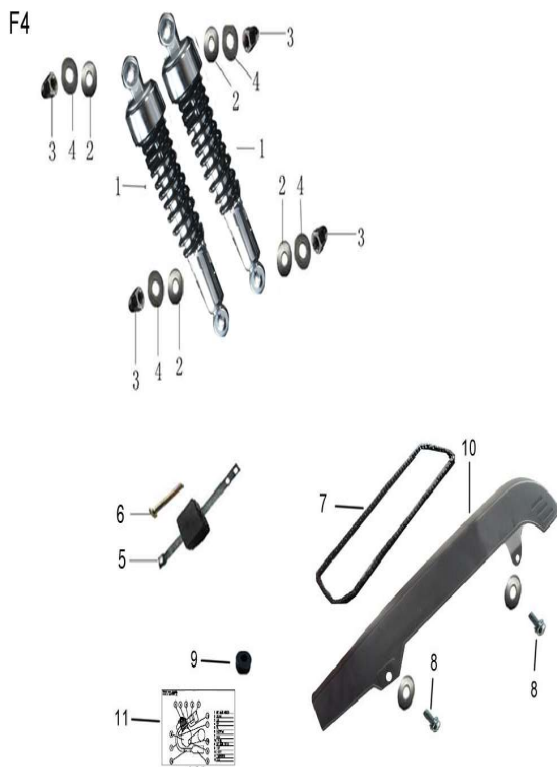
F3 - FUEL TANK\SEAT\REAR CARRIER



F3 - FUEL TANK\SEAT\REAR CARRIER

序号	PART CODE	英文名称	用量
F3-1	1181400156000	KEY SET	1
F3-2		ROUND CAP SCREW (M6×12)	2
F3-4	7021805012158	SCREW,PAN (M5×12)	2
F3-5	7021805020157	SCREW,PAN (M5×8)	1
F3-6	1241400210835	FUEL TANK, MATT BLACK	1
F3-7	1260300010000	POSITION FIXING WASHER	2
F3-8	1261700020000	CUSHION,FUEL TANK A	1
F3-9	1261700050000	Cushion, Lower Rear	2
F3-10	7012406040168	BOLT,HEX FLANGE (M6×40)	2
F3-11	7052706222038	WASHER ,PLAIN φ×6	2
F3-12	1211400024000	SEAT ASS'Y	1
F3-13	1040300130000	COCK ASS'Y,FUEL	1
F3-14	7012806016168	BOLT,HEX FLANGE (M6×16)	2
F3-15	1260300322000	TUBE ASS'Y,VACUUM (120mm)	1
F3-16	1260300980000	CLIP ANNULUS φ7*1.1	2
F3-19	1261400050000	TANK RUBBER,LH	1
F3-20	1261400060000	TANK RUBBER,RH	1
	7050108161638	GASKET,SEAT	2
	7012406016164	HEXAGON BOLT,SEAT	2
	1221400033020	Seat Cover	1
	1260300040000	WASHER, FUEL TANK B	2

F4-CHAIN CASE\CHAIN DRIVE \REAR CUSHION



F4-CHAIN CASE\CHAIN DRIVE \REAR SHOCK ABSORBER

序号	PART CODE	英文名称	用量
F4-1	1100400055907	REAR SHOCK ABSORTER	2
F4-2	7050210302538	WASHER,PLAIN (M10)	4
F4-3	7033710000244	NUT,CAP (M10×1.25)	4
F4-4	7050312242538	WASHER,PLAIN (φ12)	4
F4-5	1260300100000	CHAIN,SLIDE PIECE	1
F4-6	7070042016007	Screw	1
F4-7	1070200091000	CHAIN DRIVE	1
F4-8	7111106012168		1
F4-8	7111106012168		1
F4-9		CUSHION,INNER	1
F4-10	1221000012000	CASE,UPPER HALF DRIVE CHAIN	1
F4-11	1270114012000	CHAIN COVER STICKER	2
F4-12	1263200902000	BAND WIRE (300mm)	2
	1260300290000	BUFFER, CHAIN TOUCH DEFFENSE	1
	1070100075100	CLUTCH,HALF 43T (5 HOLES)	1

F5-HEADLIGHT ASSY\METER\TURNING LINHT\TAILLIGHT ASSEMBLY

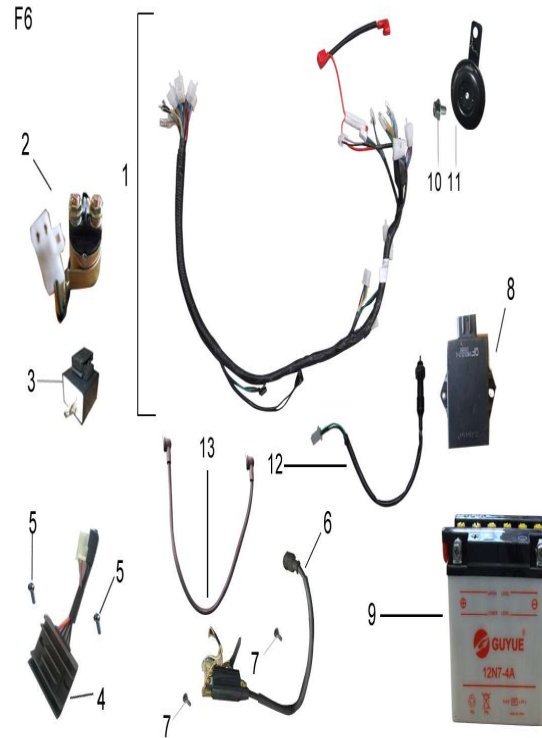
F5



F5-HEADLIGHT ASSY\METER\TURNING LINHT\TAILLIGHT ASSEMBLY

序号	PART CODE	英文名称	用量
F5-1	1170400056000	HEAD LIGHT ASSY	1
F5-2	1171000010000	WINKER ASSY L FRONT	1
F5-3	1171000020000	WINKER ASSY R FRONT	1
F5-4	1171000030000	WINKER ASSY L REAR	1
F5-5	1171000040000	WINKER ASSY R REAR	1
F5-6	1171400063000	TAIL LAMP ASSY	1
F5-7	1041000080000	LAMP BRACKET	1
F5-8	1260300180000	CUSHION, REAR FENDER REAR	2
F5-9	7050206181638		2
F5-10	7111906016168	BOLT M6×16	2
F5-11	1261000920000	REAR REFLECTOR	1
F5-12	1041400010000	HEAD LIGHT BRACKET	2
F5-13	1041300050205	Headlight bracket left connecting plate	1
F5-14	1041300050205	Headlight bracket right connecting board	1
F5-15	1041000110000	BRACKET, REAR TURNING LIGHT, L	1
F5-16	1041000120000	BRACKET, REAR TURNING LIGHT, R	1
	7523706017144		2
	7630208025164	HEXAGON BOLT,TURNING LIGHT BRACKET	2
	7511806012164		6
	7702208020164	HEXAGON BOLT ASSY.	2
	1260300300000	RUBBER CUSHION,TORQUE BAR	2
	1260200152000	RUBBER,HEAD LIGHT BRACKET	2
	1270232064003	HEAD COVER GLASS	1
	1270232062020	HEAD COVER	2

F6-WIRE HARNESS



F6-WIRE HARNESS

序号	PART CODE	英文名称	用量
F6-1	1183800083000	WIRE HARNESS	1
F6-2	1180300030000	SWITCH ASS'Y,STARTER MAGNETIC	1
F6-3	1180300050000	FLASH UNIT	1
F6-4	1183700040000	RECTIFIER COMP.,REGULATOR	1
F6-5	7011006020168	SCREW,PAN (M6×16)	1
F6-6	1180300010000	COIL COMP.,IGNITION	1
F6-7	7021805012158	SCREW,PAN (M5×12)	2
F6-8	1180300020000	C.D.I. UNIT	1
F6-9	1150000040100	BATTERY	1
F6-10	7012808016167	BOLT,HEX FLANGE (M8×16)	1
F6-11	1181000060000	HORN	1
F6-12	1180300090000	SWITCH ASSY, STOP, LAMP	1
F6-13	1180400100000	LEAD WIRE, STARTING MOTOR	1
	7011005010158	CROSS HEXAGON BOLT	1
	7013006016167	BOLT M6*16	2

F7 - SWING ARM ASS'Y,RR\ARM,RR\REAR FENDER



F7 - SWING ARM ASS'Y,RR\ARM,RR\REAR FENDER

序号	PART CODE	英文名称	用量
F7-1	1041400393100	SWING ARM ASS'Y,RR.	1
F7-2	1220300041000	BODY,REAR FENDER, FRONT	1
F7-3	1221400252300	FENER,REAR	1
F7-4	7032608000147	HEXAGON FLANGE BOLT	2
F7-5	7031908000148	NUT,HEX (M8)	2
F7-6	1260300180000	CUSHION,REAR FENDER REAR	2
F7-7	7012808040167	flange bolts	1
F7-8	1040300350000	CHAIN ADJUSTER	2
F7-9	1040100128000	REAR FORK AXLE	1
	7630308050168	HEXAGON BALL HEAD BOLT	2
	7013006016167	BOLT M6*16	2

F8 - STAND COMP.,MAIN\STAND COMP.,SIDE

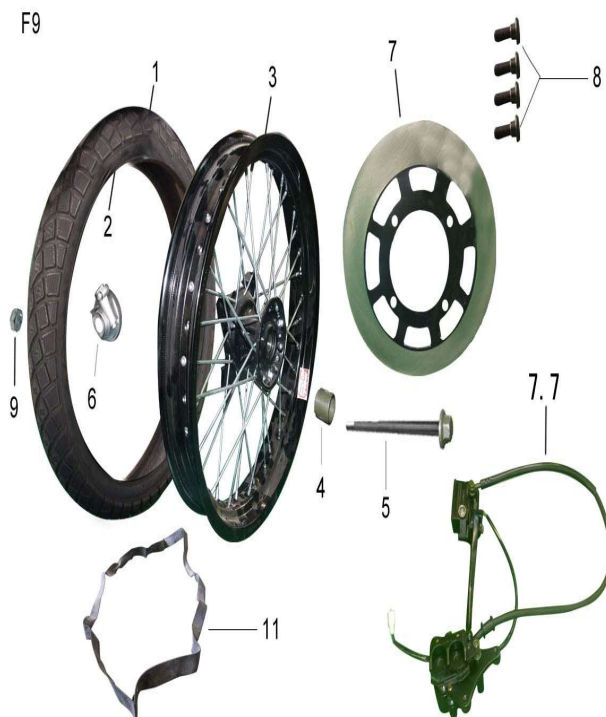
F8



F8 - MAIN STAND\SIDE STAND

序号	PART CODE	英文名称	用量
F8-1	1041400084000	SIDE STAND	1
F8-2	1290300020000	SPRING A,SIDE STAND	1
F8-3	7640310035267	BOLT,HEX STEP (M10×35)	1
F8-4	7031910000147	NUT,HEX (M10)	1
F8-5	1041400230000	SPRING STOP SWITCH	1
F8-6	1041400095000	PEDAL, REAR BREAK	1
F8-7	1290300031000	SPRING.BACKWARD,BRAKE PEDAL	1
F8-8	1040300061000	SPACER, BRAKE PEDAL BOSS	1
F8-9	7012810055268	BOLT, BRAKE PEDAL	1
F8-10	7040020016008	PIN, FR FOOTREST COTTER	1
F8-12	7031910000147	NUT, LICENSE PLATE BRACKET	1
F8-14	7012406020168	BOLT	1
F8-15	1040400120000	PEDAL COMP.,GEAR CHANGE	1

F9-FRONT WHEEL



F9-FRONT WHEEL

序号	PART CODE	英文名称	用量
F9-1	1090100250000	TIRE,FR.WHEEL	1
F9-2	1090100240000	TUBE,FR. WHEEL	1
F9-3	1081400012120	WHEEL SUB ASS'Y,FR. (Without Red Line)	1
F9-4	1081400070908	COLLAR,FR.R WHEEL SIDE	1
F9-5	1081400060908	AXLE,FR. WHEEL	1
F9-6	1081400051000	GEAR BOX ASSY	1
F9-7	1141400027200	Front Disk Brake	1
F9-8	7013006012168	BOLT,FRONT BRAKE DISC	4
F9-9		NUT	1
F9-10		WASHER,FRONT BRAKE DISK	2
F9-11	1090100999000	FLAP	1

F10 - REAR WHEEL



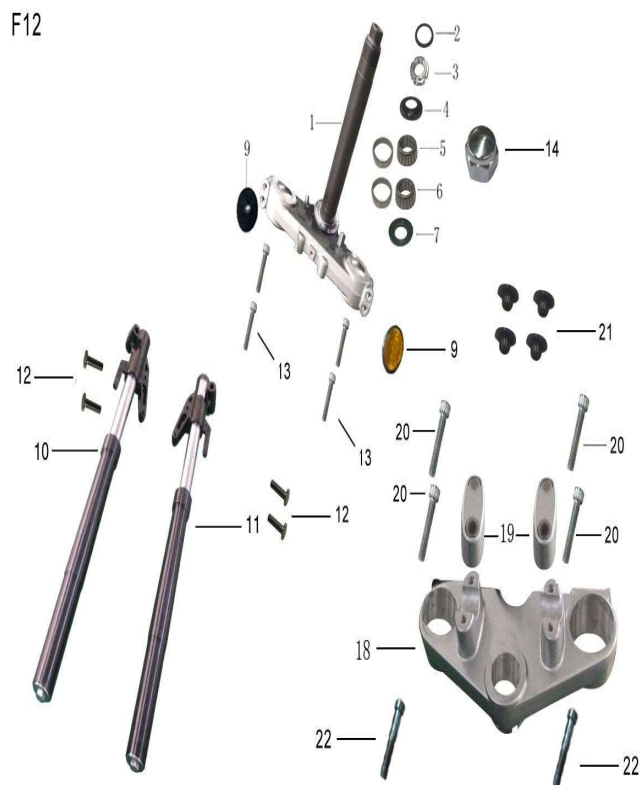
F10 - REAR WHEEL

序号	PART CODE	英文名称	用量
F10-1	1090100270000	TIRE,RR. WHEEL	1
F10-2	1081400022120	WHEEL SUB ASS'Y,RR. (Without Red Line)	1
F10-3-1	1070100022000	SPROCKET,FINAL DRIVE	1
F10-3-2		PATCH,HALF-CIRCLE	2
F10-4	7112210030168	BOLT,SPROCKET,FINAL DRIVE	4
F10-5	1081400090908	COLLAR,RR.L	1
F10-6	1081400080908	AXLE,RR.WHEEL	1
F10-7	1141400030000	PANEL COMP.,RR.BRAKE	1
F10-8	1081400100908	COLLAR,RR.R	1
F10-9	1090100260000	Rear inner tube	1
F10-10	7032608000148	NUT,HEX (M14×1.5)	1
F10-11	1090100999000	FLAP	1
F10-12	1141400035100	Rear Disk Brake	1

F11- AIR CLEANER\EXHAUST MUFFLER\BATTERY COMP BRACKET\CONDITIONING


序号	PART CODE	英文名称	用量
F11-1	1040300230000	BATTERY BRACKET	1
F11-2	7012406020168	BOLT,FLANGE (M6×20)	3
F11-3	1260300060000	BUSH BRACE,BATTERY	3
F11-4	1260300070000	RUBBER,BATTERY	3
F11-5	1220300020000	TOOL SET	1
F11-6	7031906000148	NUT,HEX (M6)	3
F11-7	1040300320000	TRIPOD	1
F11-8	1121400013000	EXHAUST MUFFLER	1
F11-9	1221400024000	AIR CLEANER ASS'Y	1
F11-10	7013006012168	BOLT,HEX FLANGE (M6×28)	2
F11-11	1040300390000	AIR CONDITIONING	1
F11-12	1040300380000	AIR CONDITIONING BRACKET	1
F11-13	7013006012168	BOLT,HEX FLANGE	2
F11-14	1260300891000	BAND BATTERY	1
F11-15	1260400961000	LADEN PRESS PIPE	1
F11-16	1260300990000	OVENPROOF PIPE	1
F11-17	1260300942000	CONJUNCTIONAL PIPE	1
F11-18	1260300980000	CLIP ANNULUS φ7*1.1	2
F11-19	1260300990000	CLIP ANNULUS	2
F11-20	1590300011000	GASKET,EXHAUST	1
F11-21	6202028000000	Intake Pipe Gasket	1
F11-22	1260300936000	Engine intake pipe	1
F11-23	7012806016168	bolt	2
F11-24	1260300970000	Exhaust pipe clamp	2
	7024908025168		2
	1260300951000		1
	1040400254001	Heat Proof Plater, Muffler	1

F12 - FRONT CUSHION\STEERING STEM\BRIDGE,FORK TOP



F12 - FRONT SHOCK ABSORBER\STEERING STEM\BRIDGE,FORK TOP

序号	PART CODE	英文名称	用量
F12-1	1051400011000	Steering column assembly	1
F12-2	7050122361034	Washer	1
F12-3	1051400060000	Lock nut	1
F12-4	1051400090000	Dustproof cover	1
F12-5	1051400130000	Bearing assembly,up	1
F12-6	1051400140000	Bearing assembly,down	1
F12-7	1051400090000	Dustproof cover	1
F12-9	1261000910000	REFLECTOR	2
F12-10	1101400023000	SHOCK ABSORBER,FRONT R.	1
F12-11	1101400013000	SHOCK ABSORBER,FRONT L.	1
F12-13	无单独品号	bolt	4
F12-14	1050100051000	Cap nut	1
F12-18	1051400020000	Joint board	1
F12-19	无单独品号	Pressing block	2
F12-20	无单独品号	bolt	
F12-21	1050700100000	UPPER MASS, STEERING HANDLE	4
F12-22	无单独品号	bolt	2

F13 - FRONT FENDER/L&R RR.COVER



F13 - FRONT FENDER/L&R RR.COVER

序号	PART CODE	英文名称	用量
F13-1	1020214017000	FRONT FENDER	1
F13-2	7112206020168	BOLT	4
F13-3	7511806016164		3
F13-4	1251400127002	COVER SUB ASS'Y,R.SIDE	1
F13-5	1251400117002	COVER SUB ASS'Y,L.SIDE	1
F13-6	1260300160000	WASHER RUBBER .UNDER	2
F13-7	1260300170000	WASHER RUBBER .UNDER	2
F13-8	1260400090000	Flexible guide ring	1
F13-9	1041400213000	Front fender bracket, FR	1
F13-10	1041400214100	Front fender bracket, RR	1
	7032608000147	HEXAGON FLANGE BOLT	2
	7013008030167		2
	7013006016167	BOLT M6*16	2

F14— LABEL\ANNEX

F14



F14— LABEL\ANNEX

序号	PART CODE	英文名称	用量
F14-1	1201400021000	MIRROR BACK R	1
F14-2	1201400011000	MIRROR BACK L	1
F14-3	1040300370000	TOOL SET	1
F14-4		EXPLAIN BOOK	1
F14-5	1260300901000	BAND WIRE (250mm)	3
F14-6	1263200902000	BAND WIRE (300mm)	5

跨骑车 QM250-2X (X6) 马来西亚



■零件名称: SF02# QM125-2X贴花 KTNS 侧盖贴花 (外贴, 由于各色车型)

Cafe Racer 250 *Cafe Racer 250*

■零件名称: SF02# QM125-2X贴花 KTNS 座垫罩 (内贴, 由于各色车型)

■零件名称: SF02# QM125-2X贴花 KTNS 燃油箱贴花 (内贴, 由于各色车型)



■零件名称: SF02# QM125-2X贴花 KTNS 前泥板贴花 (内贴, 由于各色车型)



注: 每个配件的左、右贴花请按图中所示上下顺序排列, 并按图中白框贴花印刷颜色, 贴花具体状态及使用要求请仔细阅读实物和接受通知单。

序号	PART CODE	英文名称	用量
	1273803004007	GP STICKER SET - SF02# MOTOR GOLD	1

跨骑车 QM250-2X (X5) 马来西亚



■零件名称: X04# QM125-2X(V)贴花 KTNS 油箱logo贴花 (内贴, 由于各色车型)



■零件名称: X04# QM125-2X(V)贴花 KTNS 油箱贴花 (内贴, 由于各色车型)



■零件名称: X04# QM125-2X(V)贴花 KTNS 侧盖贴花 (外贴, 由于各色车型)

**ANTIQUE
250**

**ANTIQUE
250**

注: 每个部件的左、右贴花依次按照左右或上下顺序排列。此明细图仅供贴花识别参考, 贴花具体状态及使用要求依封样实物和技术通知为准。

序号	PART CODE	英文名称	用量
	1273803004006	GP STICKER SET - X04#GOLD MOTOR BLACK	1

跨骑车 QM250-2X 出口马来西亚



■ 零件名称: JX05# KTNS 燃油箱贴花 (内贴, 用于黑色车型)



■ 零件名称: JX05# KTNS 头罩 贴花 (内贴, 用于黑色车型)



■ 零件名称: JX05# KTNS 燃油箱上贴花 (内贴, 用于黑色车型)



■ 零件名称: JX05# KTNS 侧盖 (外贴, 用于黑色车型)



■ 零件名称: JX05# 座垫装饰罩贴花 (内贴, 用于黑色车型)



■ 零件名称: JX05# 前泥板贴花 (内贴, 用于黑色车型)



■ 零件名称: JX05# 后泥板贴花 (内贴, 用于黑色车型)



注: 每个部件的左、右贴花依次按照左右或上下顺序排列。此明细图只供贴花识别参考, 贴花具体状态及使用要求依封样实物和技术通知为准。

序号	PART CODE	英文名称	用量
	1273803004005	GP STICKER SET - JZ05#GREY MOTOR BLACK	1